



955 E. Javelina Avenue
 Mesa, Arizona 85204
 T: 480.892.1071
 F: 480.892.5295
 www.L3AV.com

CLIENT:

**GLOBAL ENTERPRISE STANDARDS
 SIMPLE COLLABORATION ROOM -
 PRO (SCR_PRO)**

PROJECT NAME:

SITE ADDRESS:

NO.	DATE	DESCRIPTION
1	01/01/01	FOR CONSTRUCTION

ISSUED FOR:

PROJECT NO.:

SCALE: N/A

DRAWN BY:

REVIEWED BY:

APPROVED BY:

APPROVED DATE:

ROOM TYPE:

COVER PAGE

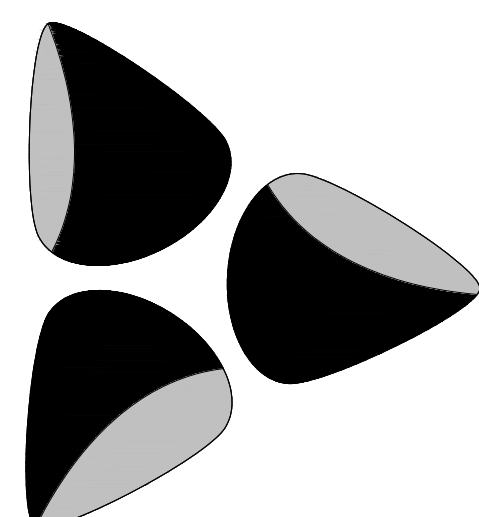
SHEET TITLE

TA000

SHEET NUMBER:

GLOBAL ENTERPRISE STANDARDS SIMPLE COLLABORATION ROOM - PRO (SCR_PRO)

D
C
B
A



**LEVEL 3
 AUDIO VISUAL**

A : 9 5 5 E . J A V E L I N A A V E N U E M E S A , A R I Z O N A 8 5 2 0 4 T : 4 8 0 . 8 9 2 . 1 0 7 1 F : 4 8 0 . 8 9 2 . 5 2 9 5 W : L 3 A V . C O M

CLIENT:

**GLOBAL ENTERPRISE STANDARDS
SIMPLE COLLABORATION ROOM -
PRO (SCR_PRO)**

PROJECT NAME:

SITE ADDRESS:

NO.	DATE	DESCRIPTION
1	01/01/01	FOR CONSTRUCTION

ISSUED FOR:

PROJECT NO.:

SCALE: **N/A**

DRAWN BY:

REVIEWED BY:

APPROVED BY

APPROVED DATE:

ROOM TYPE:

AUDIOVISUAL SHEET INDEX

SHEET SERIES	INCLUDES
TA000	COVER PAGE, DRAWING INDEX, RESPONSIBILITIES MATRIX, SYMBOL LEGEND
TA100	SCR119 ROOM TYPE - PLAN, RCP, RISER DIAGRAM, ELEVATIONS, FLOW DIAGRAMS
TA200	SCR98 ROOM TYPE - PLAN, RCP, RISER DIAGRAM, ELEVATIONS, FLOW DIAGRAMS
TA300	SCR86 ROOM TYPE - PLAN, RCP, RISER DIAGRAM, ELEVATIONS, FLOW DIAGRAMS
TA400	SCR75 ROOM TYPE - PLAN, RCP, RISER DIAGRAM, ELEVATIONS, FLOW DIAGRAMS
TA500	SCR65 ROOM TYPE - PLAN, RCP, RISER DIAGRAM, ELEVATIONS, FLOW DIAGRAMS
TA600	AV EQUIPMENT MOUNTING DETAILS

● = ISSUED ▲ = REVISION ▽ = PROGRESS ☼ = NOT ISSUED ⊘ = REMOVED

SHEET NUMBER	SHEET TITLE	ROOM TYPE	DATE	ISSUE																
TA000	COVER PAGE		01/01/01	FOR CONSTRUCTION	●															
TA001	SHEET INDEX		01/01/01	FOR CONSTRUCTION	●															
TA002	NOTES, SCHEDULES & REFERENCES		01/01/01	FOR CONSTRUCTION	●															
TA003	TYPICAL CONNECTOR DETAILS		01/01/01	FOR CONSTRUCTION	●															
TA101	AV ENLARGEMENTS - SCR119 PRO TYPICAL	SCR119 PRO	01/01/01	FOR CONSTRUCTION	●															
TA102	AV RISER DIAGRAMS - SCR119 PRO TYPICAL	SCR119 PRO	01/01/01	FOR CONSTRUCTION	●															
TA103	AV DISPLAY & MOUNTING ELEVATIONS - SCR119 PRO TYPICAL	SCR119 PRO	01/01/01	FOR CONSTRUCTION	●															
TA104.1	AV IMAGE VIEWING RANGES & CAMERA ANGLES - SCR119 PRO TYP	SCR119 PRO	01/01/01	FOR CONSTRUCTION	●															
TA104.2	AV SIGHT LINE STUDIES - SCR119 PRO TYPICAL	SCR119 PRO	01/01/01	FOR CONSTRUCTION	●															
TA105	AV OCCUPANCY SENSOR COVERAGE DETAIL - SCR119 PRO TYPICAL	SCR119 PRO	01/01/01	FOR CONSTRUCTION	●															
TA106	AV FLOW DIAGRAMS - SCR119 PRO TYPICAL	SCR119 PRO	01/01/01	FOR CONSTRUCTION	●															
TA201	AV ENLARGEMENTS - SCR98 PRO TYPICAL	SCR98 PRO	01/01/01	FOR CONSTRUCTION	●															
TA202	AV RISER DIAGRAMS - SCR98 PRO TYPICAL	SCR98 PRO	01/01/01	FOR CONSTRUCTION	●															
TA203	AV DISPLAY & MOUNTING ELEVATIONS - SCR98 PRO TYPICAL	SCR98 PRO	01/01/01	FOR CONSTRUCTION	●															
TA204	AV SIGHT LINE STUDIES - SCR98 PRO TYPICAL	SCR98 PRO	01/01/01	FOR CONSTRUCTION	●															
TA205	AV OCCUPANCY SENSOR COVERAGE DETAIL - SCR98 PRO TYPICAL	SCR98 PRO	01/01/01	FOR CONSTRUCTION	●															
TA206	AV FLOW DIAGRAMS - SCR98 PRO TYPICAL	SCR98 PRO	01/01/01	FOR CONSTRUCTION	●															
TA701	MOUNTING DETAILS - SCHEDULING - DRYWALL		01/01/01	FOR CONSTRUCTION	●															
TA702	MOUNTING DETAILS - SCHEDULING - GLASS MULLION		01/01/01	FOR CONSTRUCTION	●															
TA703	MOUNTING DETAILS - TRIO 8800 & TT-110 CABLE CADDY		01/01/01	FOR CONSTRUCTION	●															
TA704	MOUNTING DETAILS - KIOSK LAPTOP		01/01/01	FOR CONSTRUCTION	●															
TA705	MOUNTING DETAILS - DISPLAY SIDE COVERS		01/01/01	FOR CONSTRUCTION	●															

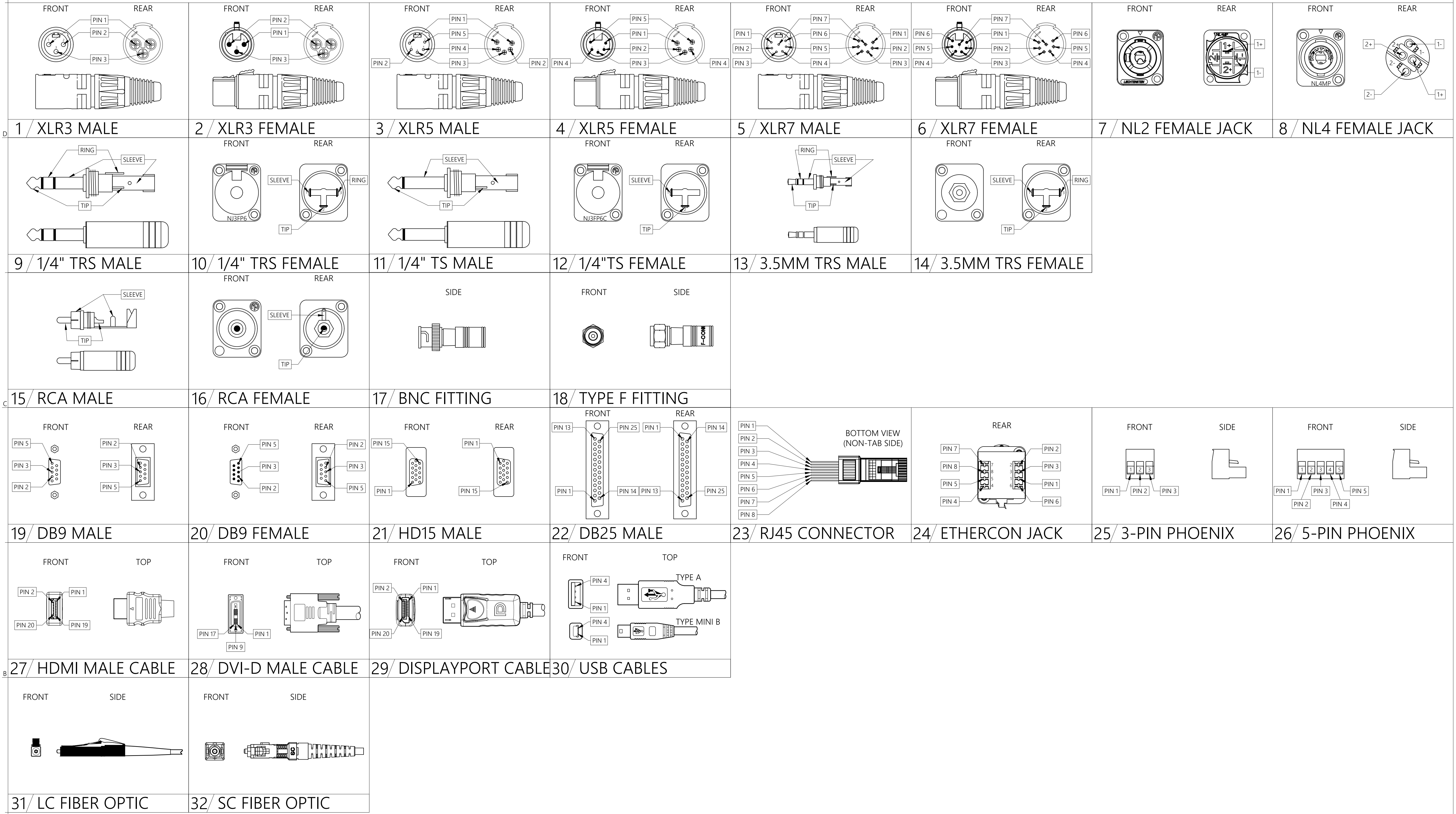
SHEET INDEX

SHEET TITLE

TA001

SHEET NUMBER:

TYPICAL CONNECTOR DETAILS



CLIENT:
GLOBAL ENTERPRISE STANDARDS
SIMPLE COLLABORATION ROOM - PRO
(SCR_PRO)

PROJECT NAME:

SITE ADDRESS:

NO.	DATE	DESCRIPTION
1	01/01/01	FOR CONSTRUCTION

ISSUED FOR:

PROJECT NO.:

SCALE: N/A

DRAWN BY:

REVIEWED BY:

APPROVED BY:

APPROVED DATE:

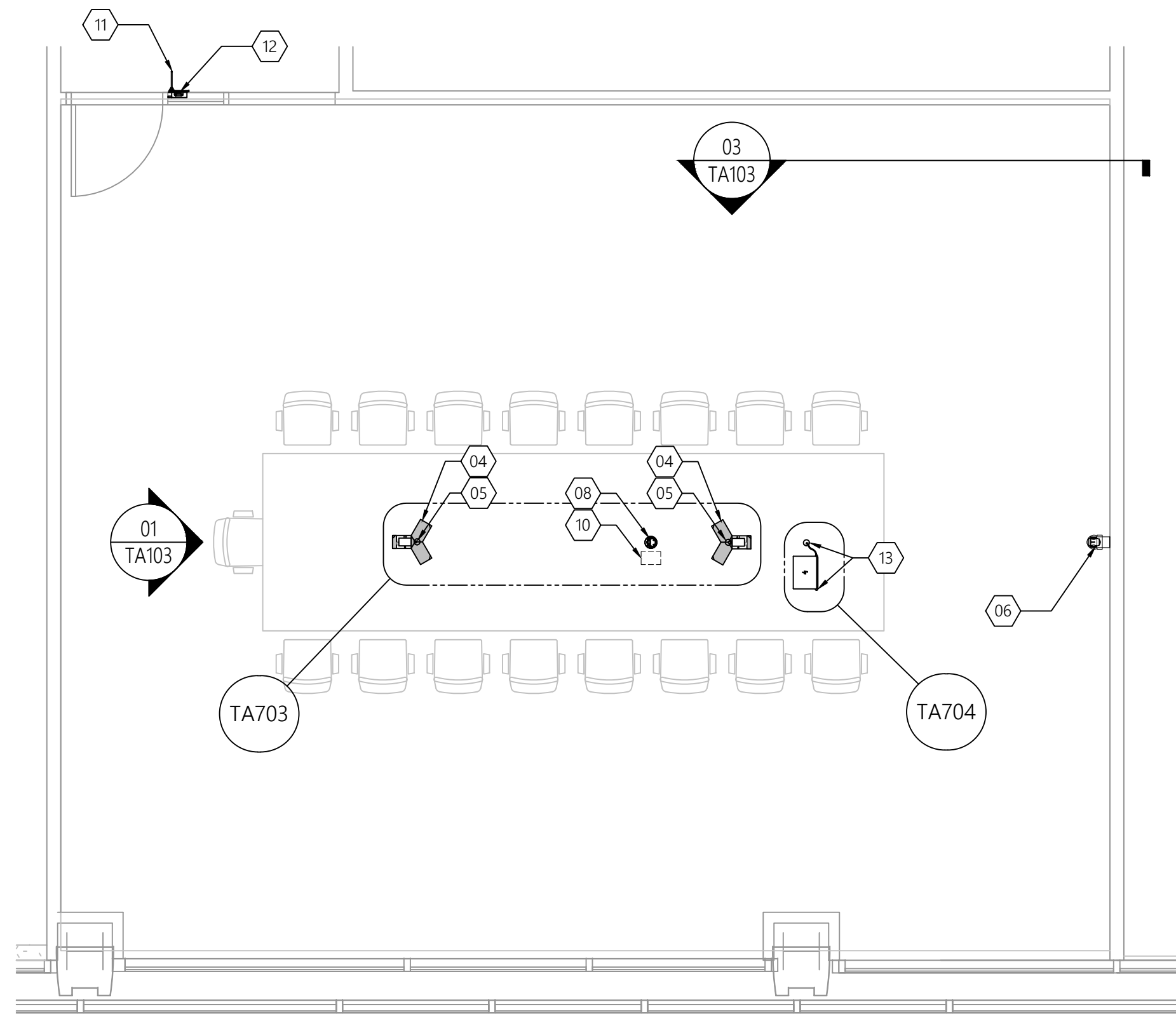
ROOM TYPE:

TYPICAL CONNECTOR DETAILS

SHEET TITLE

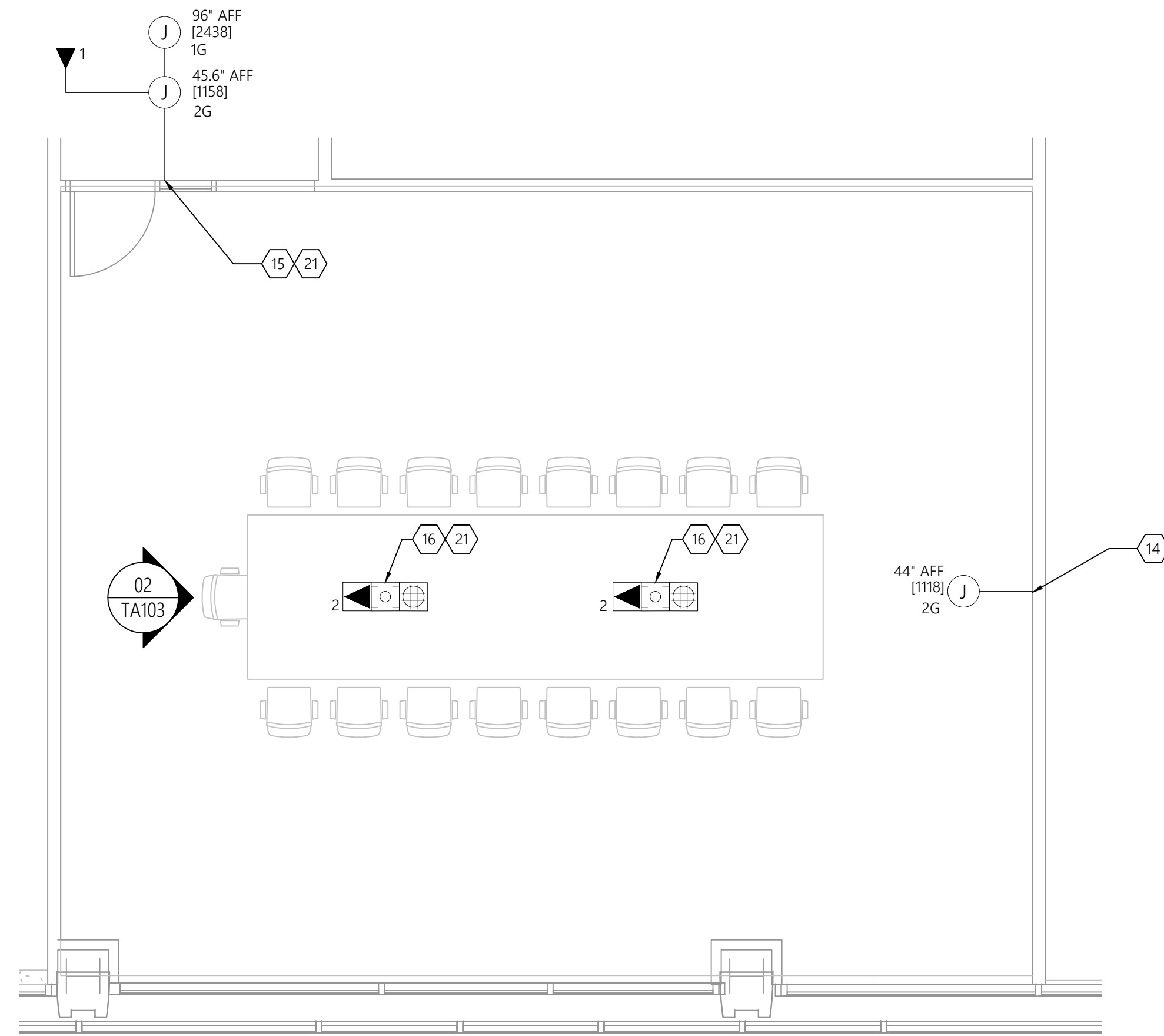
TA003

SHEET NUMBER:



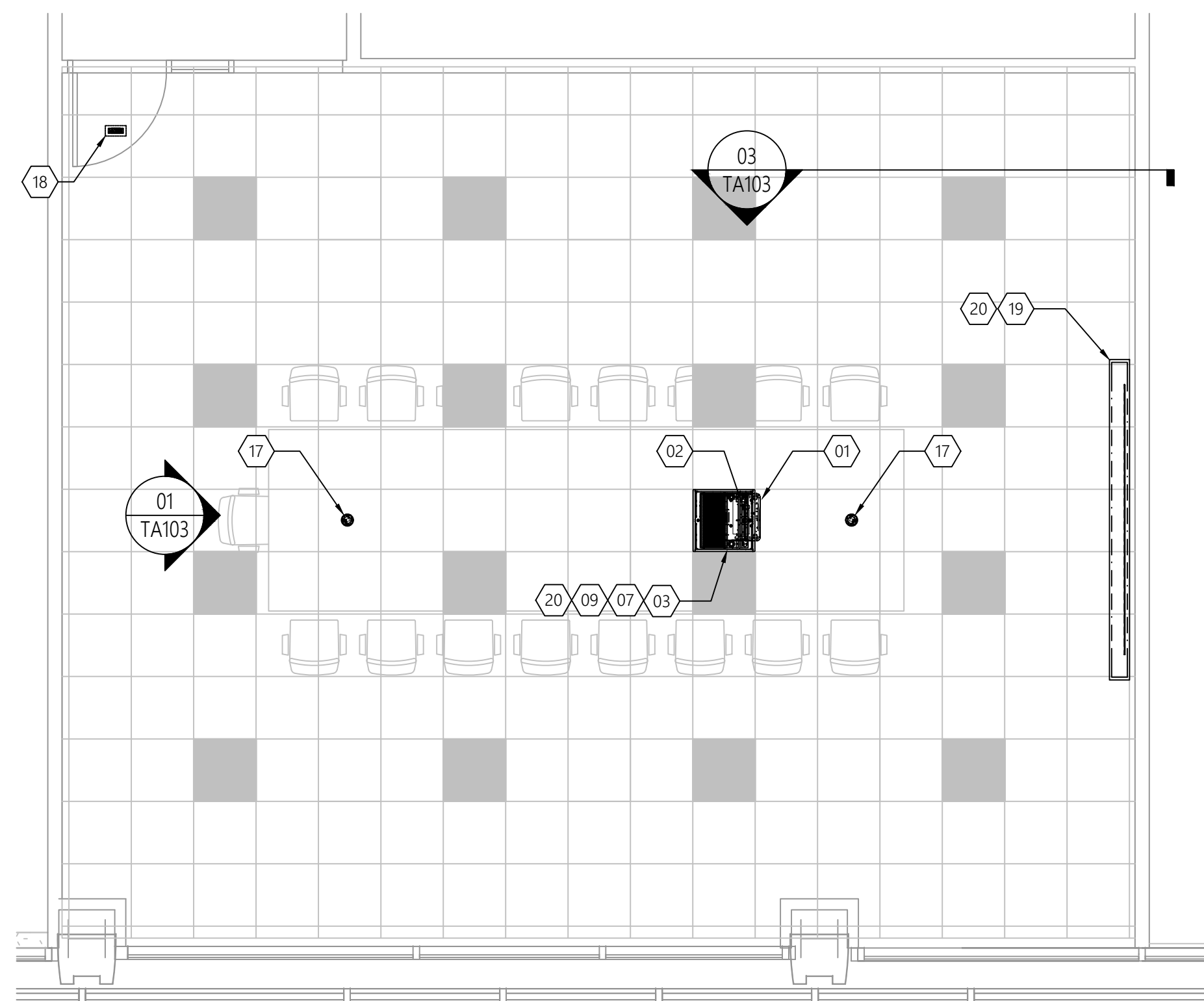
01 AV EQUIPMENT LAYOUT - PLAN VIEW

SIMPLE COLLABORATION ROOM - SCR119_PRO - TYPICAL REFERENCE
Scale: 1/4" = 1'-0"



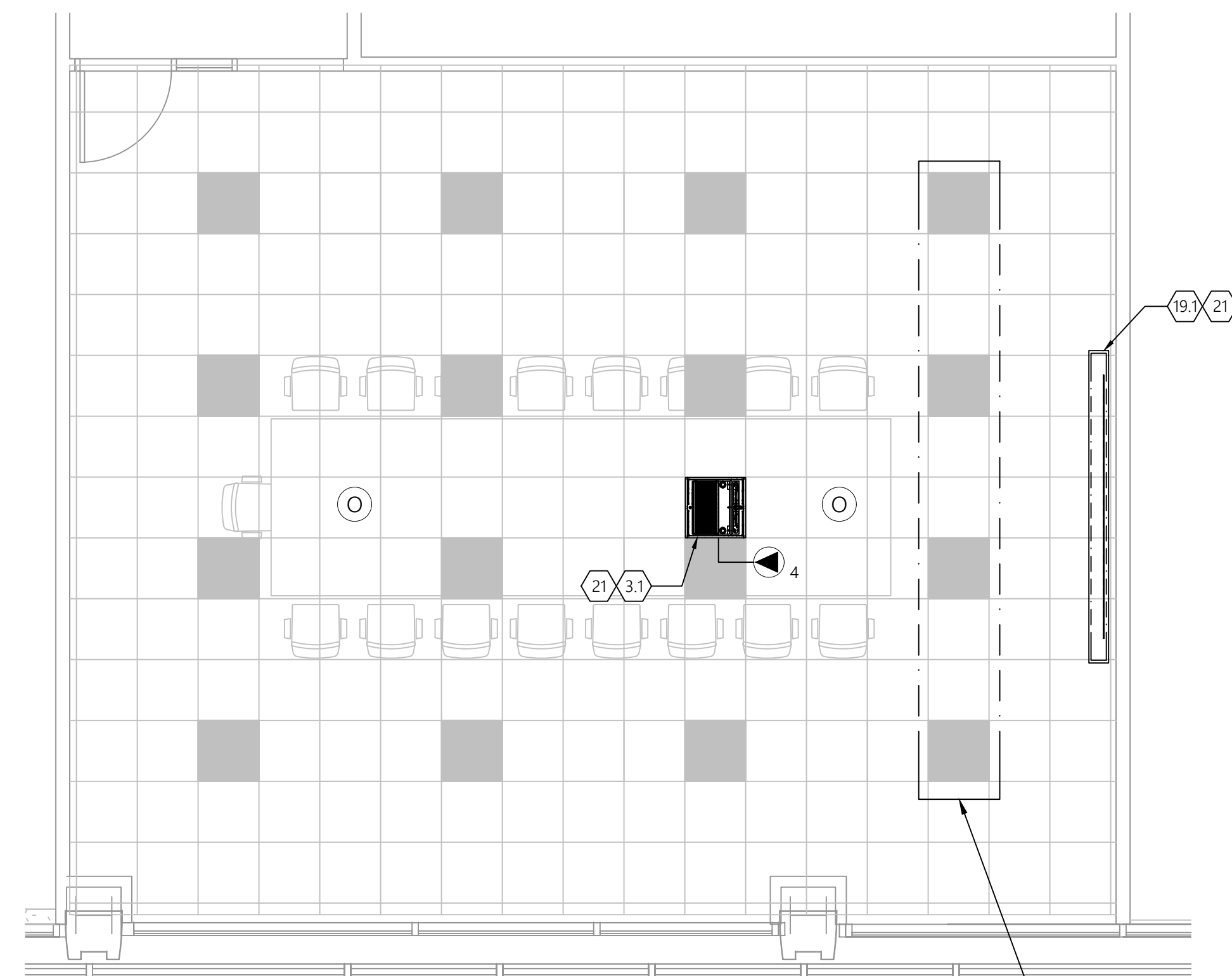
02 AV FACILITY REQUIREMENTS - PLAN VIEW

SIMPLE COLLABORATION ROOM - SCR119_PRO - TYPICAL REFERENCE
Scale: 1/4" = 1'-0"



03 AV EQUIPMENT LAYOUT - RCP VIEW

SIMPLE COLLABORATION ROOM - SCR119_PRO - TYPICAL REFERENCE
Scale: 1/4" = 1'-0"



04 AV FACILITY REQUIREMENTS - RCP VIEW

SIMPLE COLLABORATION ROOM - SCR119_PRO - TYPICAL REFERENCE
Scale: 1/4" = 1'-0"

GENERAL NOTES

- A. ROOM LAYOUTS ARE TYPICAL AND ARE FOR REFERENCE ONLY. REFER TO ARCHITECTURAL PLANS FOR EXACT ROOM LAYOUTS
- B. ALL POWER, DATA TO BE PROVIDED BY OTHERS.
- C. THE AV SYSTEM SHOULD RECEIVE A SINGLE PHASE FEED THAT IS PROPERLY GROUNDED.
- D. ALL CIRCUITS TO BE 20A. VOLTAGE DICTATED BY REGION.

SHEET KEYNOTES

- 1. NEC NP-P605UL - 6,000 LUMEN, 1920x1080 LCD, LASER PROJECTOR.
- 2. CHIEF RPM AU RPA ELITE PROJECTOR MOUNT.
- 3. MIDDLE ATLANTIC EGB2SP-RLNK EVOLUTION SERIES PLENUM CEILING BOX WITH RACKLINK POWER.
- 3.1. DEDICATED 20A CIRCUIT TO BE HARDWIRED TO CEILING BOX BY OTHERS
- 4. POLYCOM TRIO 8800 - PoE TO BE PROVIDED BY OTHERS.
- 5. 2" TABLE GROMMET BELOW POLYCOM TRIO 8800 FOR CABLE PASS THRU.
- 6. POLYCOM EAGLEYE IV PTZ CAMERA.
- 7. POLYCOM GROUP 310 CONFERRING ACCESSORY TO BE MOUNTED INSIDE OF STORAGE BOX.
- 8. CRESTRON TT-110-B-T CABLE CADDY.
- 9. CRESTRON HD-RX-201-C-E RECEIVER (PART OF HD-MD-400-C-E-KIT) TO BE MOUNTED INSIDE OF STORAGE BOX.
- 10. CRESTRON HD-TX-301-C-E (PART OF HD-MD-400-C-E-KIT) TO BE SURFACE MOUNTED BELOW TABLE.
- 11. CRESTRON SSW-102 MEETING ROOM AVAILABILITY SIGN. USE SSW-MUMK WHEN MOUNTING TO MULLION/GLASS.
- 12. CRESTRON TSS-7-W-S 7" SCHEDULING PANEL. USE TS-7/10-MUMK-W MOUNTING KIT WHEN MOUNTING TO MULLION.
- 13. KIOSK LAPTOP WITH 2" GROMMET FOR POWER CABLE/KENSINGTON CABLE LOCK PASS THRU.
- 14. (1) 1" CONDUIT STUBBED FROM J-BOX TO ACCESSIBLE CEILING.
- 15. (1) 1" CONDUIT STUBBED TO ACCESSIBLE CEILING.
- 16. EC/OWNER PROVIDED POKE THRU OR FLOOR BOX.
- 17. CRESTRON GLS-ODT-C-CN DUAL TECHNOLOGY OCCUPANCY SENSOR. EXACT LOCATION TO BE VERIFIED.
- 18. CRESTRON CNTBLOCK - PLENUM RATED BOX REQUIRED WHEN INSTALLED IN PLENUM AIRSPACE (MINIMUM DIMENSIONS FOR BOX - 2" H x 8" W x 4" D). PLENUM BOX PROVIDED AND INSTALLED BY OTHERS. CRESNET CABLE TO BE RAN TO COMM ROOM OR NEXT ROOM IN ZONE.
- 19. DA-LITE 24707LS TENSIONED ADVANTAGE ELECTROL CEILING RECESSED MOTORIZED PROJECTION SCREEN.
- 19.1. DEDICATED 20A CIRCUIT TO BE HARDWIRED TO PROJECTION SCREEN MOTOR BY OTHERS.
- 20. THE CEILING SLAB TO WHICH THE A/V EQUIPMENT IS MOUNTED MUST BE CAPABLE OF SUPPORTING FIVE TIMES (5x) THE TOTAL WEIGHT.
- 21. POWER AND DATA TO BE PROVIDED BY OTHERS.

NETWORK PORT DETAILS

LOCATION	POE YES/NO	PORT QTY	POE BUDGET (WATTS)
TSS-7	PoE+	1	30.00
TRIO	PoE+	1	25.50
TRIO	PoE+	1	25.50
GROUP 310	NO	1	0.00
NEC	NO	1	0.00
CRESTRON RX	NO	1	0.00
RLNK	NO	1	0.00
USER DATA	NO	2	0.00
TOTALS		9	81.00



955 E. Javelina Avenue
Mesa, Arizona 85204
T: 480.892.1071
F: 480.892.5295
www.L3AV.com

CLIENT:

**GLOBAL ENTERPRISE STANDARDS
SIMPLE COLLABORATION ROOM -
PRO (SCR_PRO)**

PROJECT NAME:

SITE ADDRESS:

NO.	DATE	DESCRIPTION
1	01/01/01	FOR CONSTRUCTION

ISSUED FOR:

PROJECT NO.:

SCALE: 1/4" = 1'

DRAWN BY:

REVIEWED BY:

APPROVED BY

APPROVED DATE:

ROOM TYPE: SCR119 PRO

**AV
ENLARGEMENTS
- SCR119 PRO
TYPICAL**

SHEET TITLE

TA101

SHEET NUMBER:

GENERAL NOTES

- A. ROOM LAYOUTS ARE TYPICAL AND ARE FOR REFERENCE ONLY. REFER TO ARCHITECTURAL PLANS FOR EXACT ROOM LAYOUTS.
- B. AUDIO CABLES, CONTROL CABLES, VIDEO CABLES AND SPEAKER CABLES SHALL BE ROUTED IN SEPARATE GALVANIZED STEEL CONDUITS.
- C. A PULLBOX IS REQUIRED FOR ANY CONDUIT OR PATHWAY THAT IS MORE THAN 100 FEET OR 30 METERS IN A CONTINUOUS LENGTH.
- D. ANY CONDUIT OR PATHWAY WITH MORE THAN 180 DEGREES ACCUMULATIVE BEND REQUIRES A PULLBOX FOR EVERY 180 DEGREES OF BEND.
- E. ALL EMPTY CONDUIT AND RACEWAYS SHALL HAVE A 1/8" (4mm) PULL-STRING WITH A TENSILE STRENGTH OF 200 POUNDS (90 KG). CAP OPEN ENDS NOT TERMINATED IN A JUNCTION BOX.
- F. CABLE ROUTED BELOW RAISED FLOORING WILL BE FREE AIRED. ALL OTHER APPLICATIONS REQUIRE CONTINUOUS CONDUIT.



CLIENT:

**GLOBAL ENTERPRISE STANDARDS
SIMPLE COLLABORATION ROOM -
PRO (SCR_PRO)**

PROJECT NAME:

SITE ADDRESS:

NO.	DATE	DESCRIPTION
1	01/01/01	FOR CONSTRUCTION

ISSUED FOR:

PROJECT NO.:

SCALE: **NTS**

DRAWN BY:

REVIEWED BY:

APPROVED BY:

APPROVED DATE:

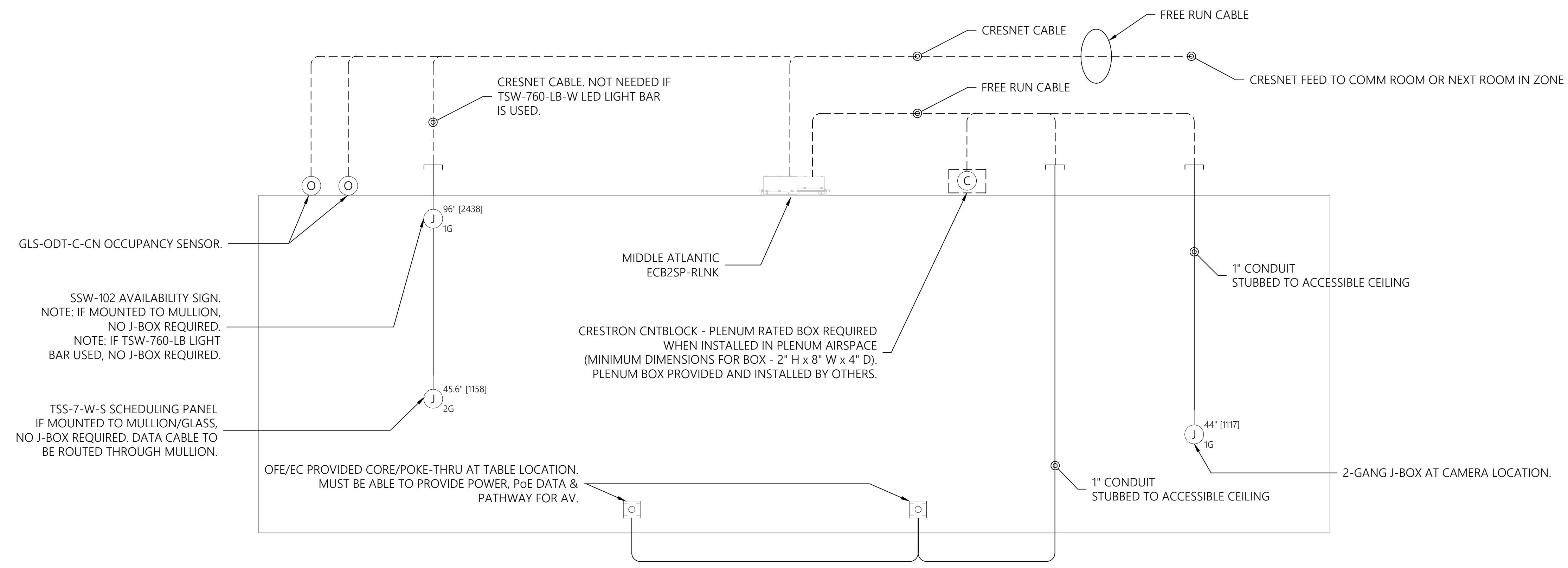
ROOM TYPE: **SCR119 PRO**

AV RISER DIAGRAMS - SCR119 PRO TYPICAL

SHEET TITLE

TA102

SHEET NUMBER:



01 AV CONDUIT RISER DIAGRAM
SIMPLE COLLABORATION ROOM - SCR119_PRO - TYPICAL REFERENCE

GENERAL NOTES

- A. ROOM LAYOUTS ARE TYPICAL AND ARE FOR REFERENCE ONLY. REFER TO ARCHITECTURAL PLANS FOR EXACT ROOM LAYOUTS.
- B. ALL POWER, DATA TO BE PROVIDED BY OTHERS.
- C. THE AV SYSTEM SHOULD RECEIVE A SINGLE PHASE FEED THAT IS PROPERLY GROUNDED.



955 E. Javelina Avenue
Mesa, Arizona 85204
T: 480.892.1071
F: 480.892.5295
www.L3AV.com

SHEET KEYNOTES

1. NEC NP-P605UL - 6,000 LUMEN, 1920x1080 LCD, LASER PROJECTOR.
2. CHIEF RPTAU RPA ELITE PROJECTOR MOUNT.
3. MIDDLE ATLANTIC ECB2SP-RLNK EVOLUTION SERIES PLENUM CEILING BOX WITH RACKLINK POWER.
4. POLYCOMM EAGLEYE IV PTZ CAMERA WITH SOUND CONTROL (RCM-EE4) WALL MOUNT TO SECURE RC4-CE TRANSMITTER BEHIND CAMERA.
5. (1) 1" CONDUIT STUBBED FROM J-BOX TO ACCESSIBLE CEILING.
6. DA-LITE 24707LS TENSIONED ADVANTAGE ELECTROL CEILING RECESSED MOTORIZED PROJECTION SCREEN.
7. POWER & DATA TO BE TERMINATED IN STORAGE BOX BY OTHERS.
8. DEDICATED 20A, 120V CIRCUIT TO BE HARDWIRED TO PROJECTION SCREEN MOTOR BY OTHERS.
9. THE CEILING SLAB TO WHICH THE A/V EQUIPMENT IS MOUNTED MUST BE CAPABLE OF SUPPORTING FIVE TIMES (5x) THE TOTAL WEIGHT.

CLIENT:

**GLOBAL ENTERPRISE STANDARDS
SIMPLE COLLABORATION ROOM - PRO
(SCR_PRO)**

PROJECT NAME:

SITE ADDRESS:

NO.	DATE	DESCRIPTION
1	01/01/01	FOR CONSTRUCTION

ISSUED FOR:

PROJECT NO.:

SCALE: **1/2" = 1'**

DRAWN BY:

REVIEWED BY:

APPROVED BY

APPROVED DATE:

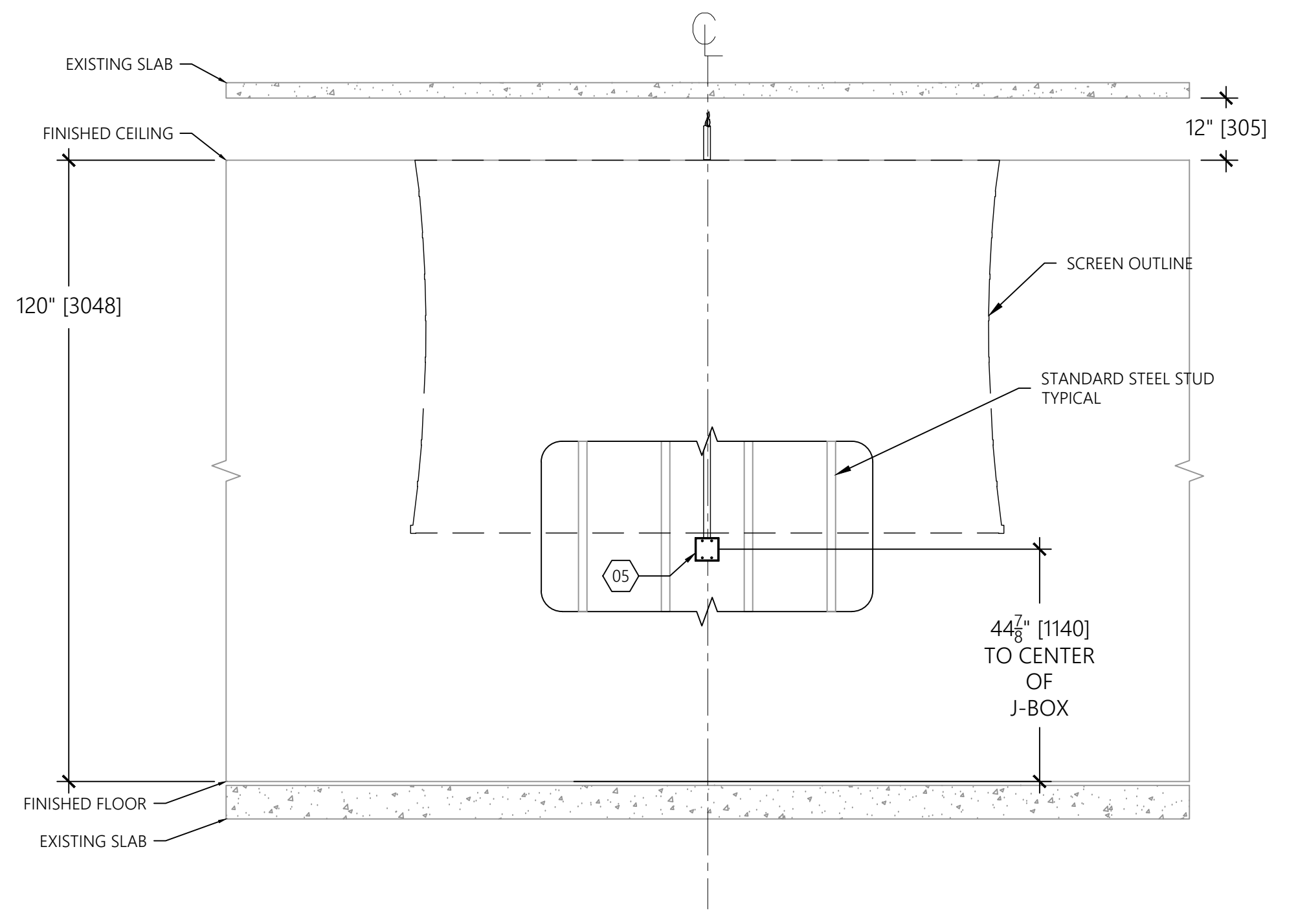
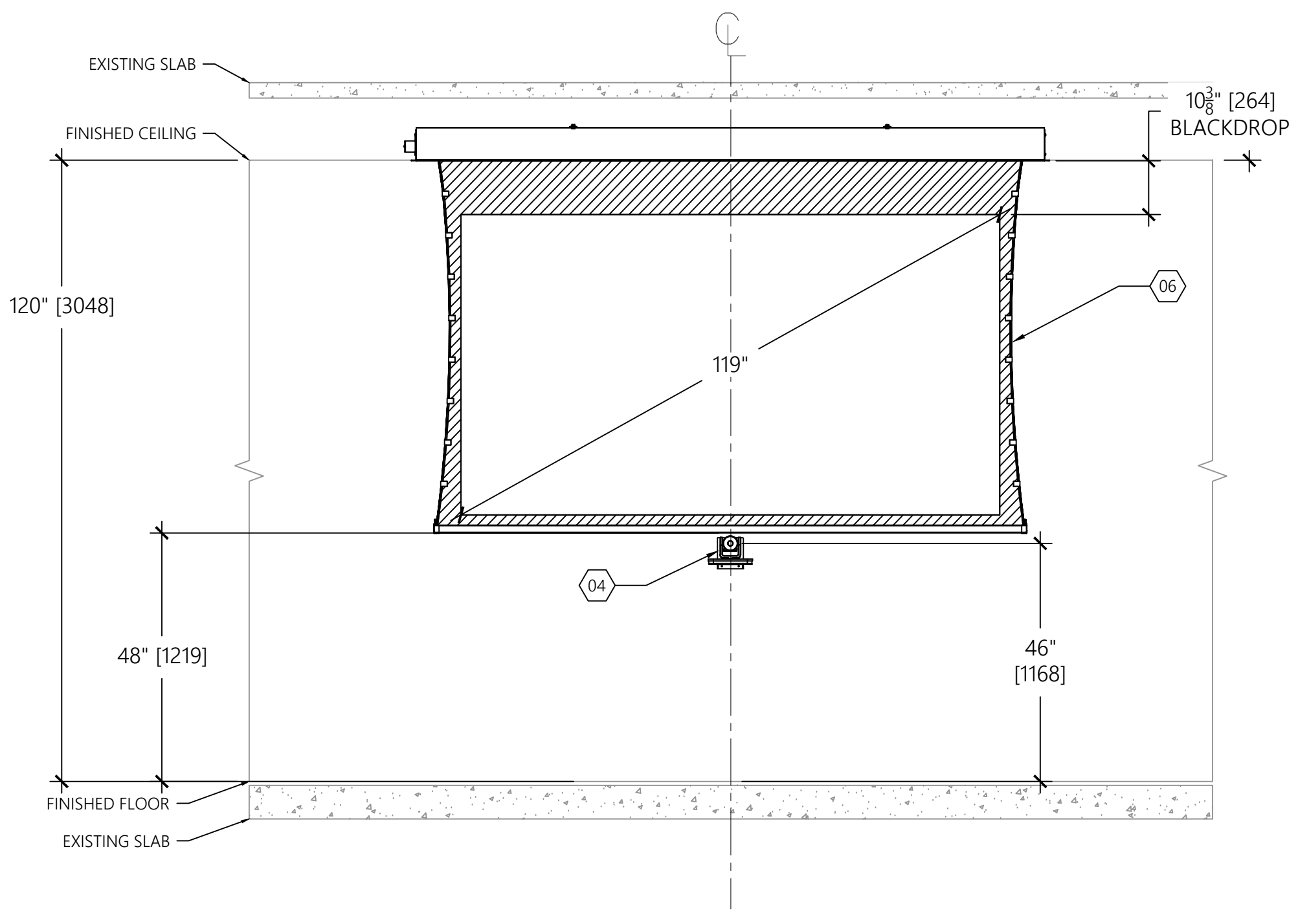
ROOM TYPE: **SCR119 PRO**

AV DISPLAY & MOUNTING ELEVATIONS - SCR119 PRO TYPICAL

SHEET TITLE

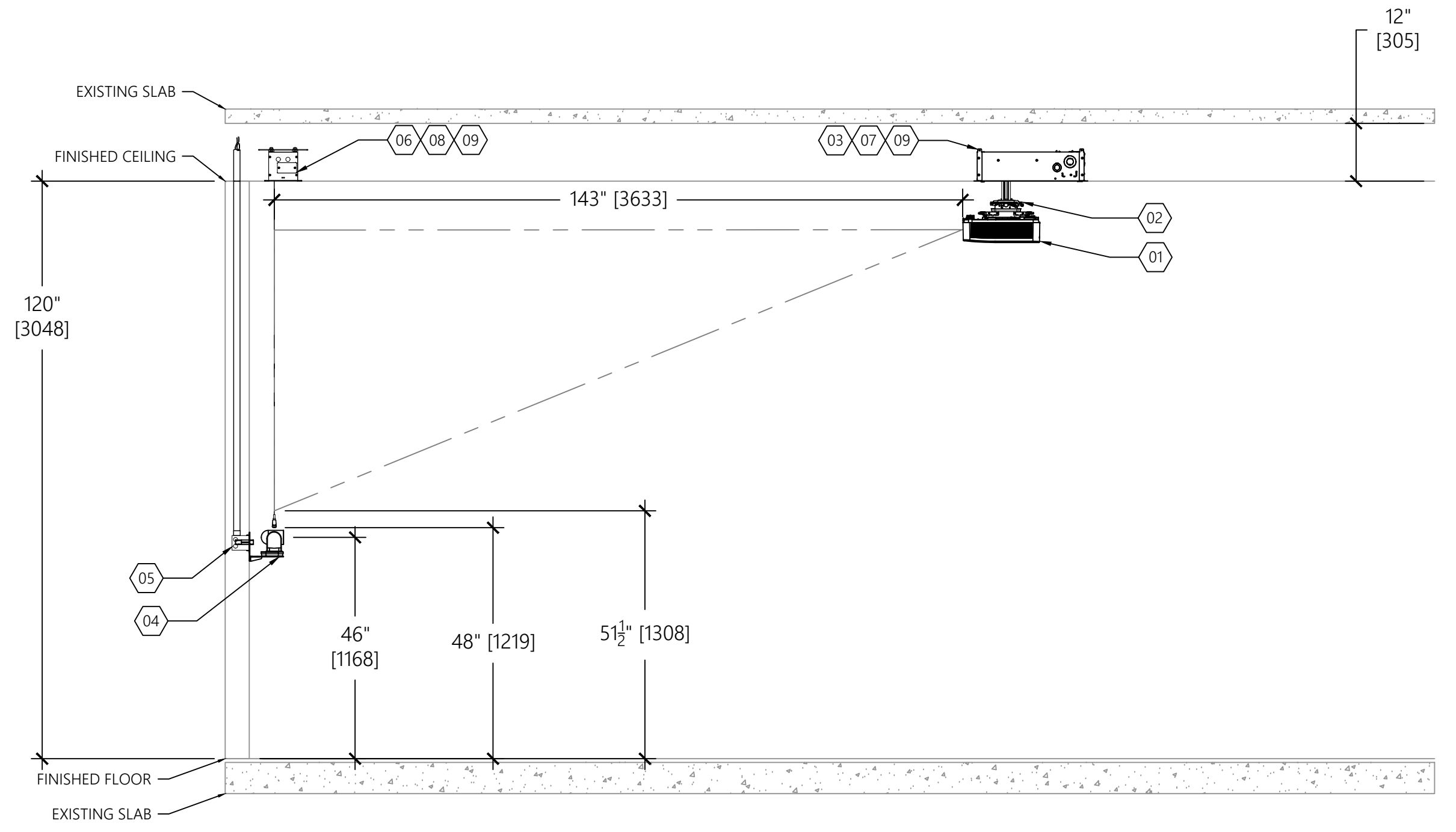
TA103

SHEET NUMBER:



01 AV EQUIPMENT LAYOUT - ELEVATION
SIMPLE COLLABORATION ROOM - SCR119_PRO - TYPICAL REFERENCE
Scale: 1/2" = 1'-0"

02 AV ELECTRICAL & FACILITY REQS. - ELEVATION
SIMPLE COLLABORATION ROOM - SCR119_PRO - TYPICAL REFERENCE
Scale: 1/2" = 1'-0"



03 AV PROJECTION SECTION VIEW
SIMPLE COLLABORATION ROOM - SCR119_PRO - TYPICAL REFERENCE
Scale: 1/2" = 1'-0"

GENERAL NOTES

- A. ROOM LAYOUTS ARE TYPICAL AND ARE FOR REFERENCE ONLY. REFER TO ARCHITECTURAL PLANS FOR EXACT ROOM LAYOUTS
- B. VIEWING DISTANCES & VIEWING RANGES ARE DETERMINED USING THE AVIXA V202.01:2016 DISCAS (DISPLAY IMAGE SIZE FOR 2D CONTENT IN AUDIOVISUAL SYSTEMS) STANDARD.
- C. ALL VIEWING RANGES ARE CALCULATED SO THE VIEWER CAN MAKE BASIC DECISIONS BASED ON THE DISPLAYED IMAGE.
- D. ELEMENT HEIGHT IS THE RATIO OF THE HEIGHT OF THE SMALLEST INTENDED CONTENT TO THE VERTICAL HEIGHT OF THE IMAGE.
- E. PROJECTOR LUMEN REQUIREMENT IS BASED ON AMBIENT LIGHT LEVELS.
 EXAMPLE:
 AMBIENT LIGHT = 80 LUX (7.4 FC)
 SCREEN GAIN = 1.5

 PROJECTOR LUMEN RATING SHOULD BE HIGHER THAN 2750 LUMEN (2750 FC).
 LIGHTING AT PARTICIPANTS FACES SHOULD BE 300 - 500 LUX (27.87 - 46.45 FC).



955 E. Javelina Avenue
 Mesa, Arizona 85204
 T: 480.892.1071
 F: 480.892.5295
 www.L3AV.com

CLIENT:

**GLOBAL ENTERPRISE STANDARDS
 SIMPLE COLLABORATION ROOM -
 PRO (SCR_PRO)**

PROJECT NAME:

SITE ADDRESS:

NO.	DATE	DESCRIPTION
1	01/01/01	FOR CONSTRUCTION

ISSUED FOR:

PROJECT NO.:

SCALE: **1/4" = 1'**

DRAWN BY:

REVIEWED BY:

APPROVED BY:

APPROVED DATE:

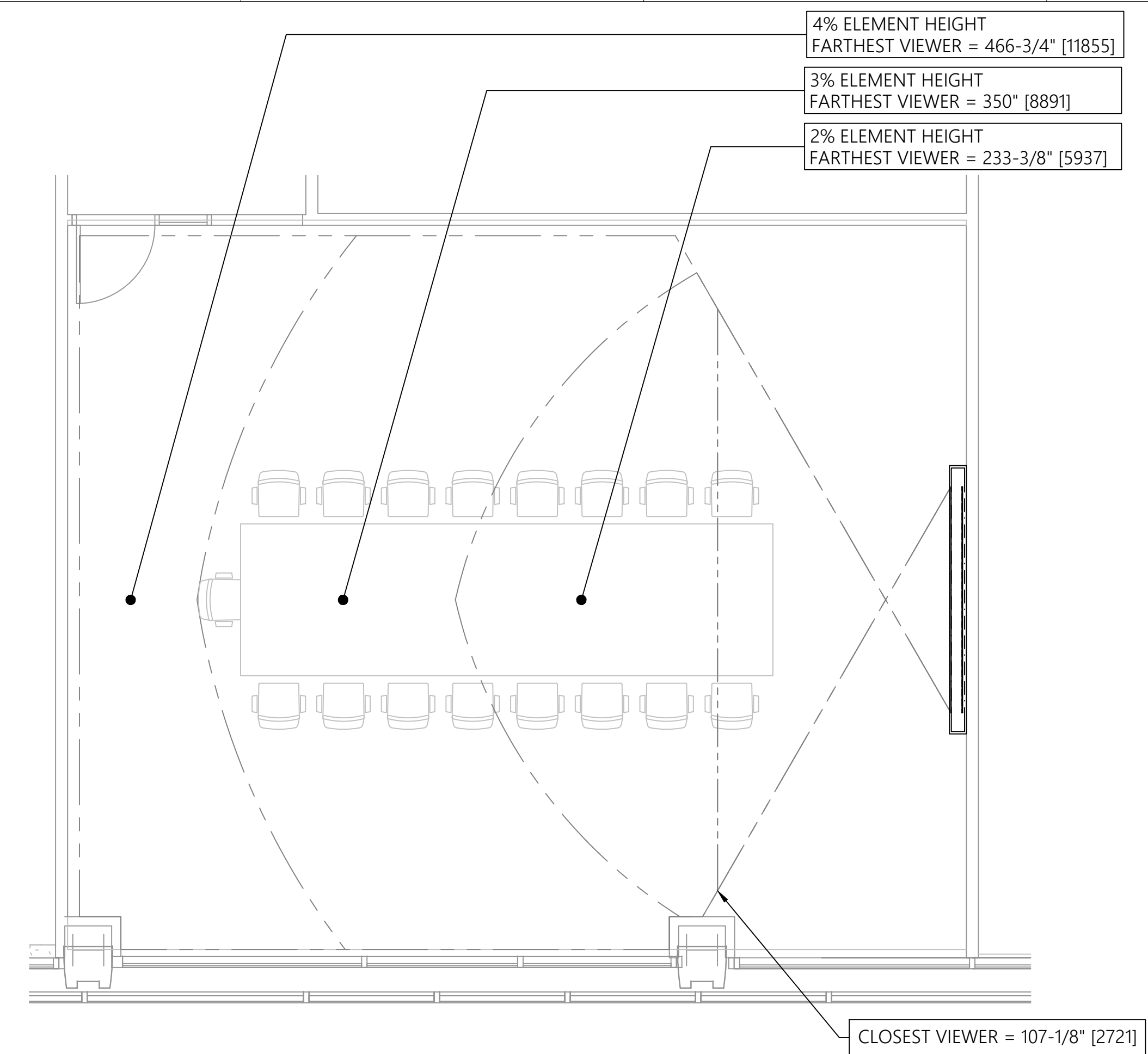
ROOM TYPE: **SCR119 PRO**

**AV IMAGE
 VIEWING
 RANGES &
 CAMERA
 ANGLES -
 SCR119 PRO TYP**

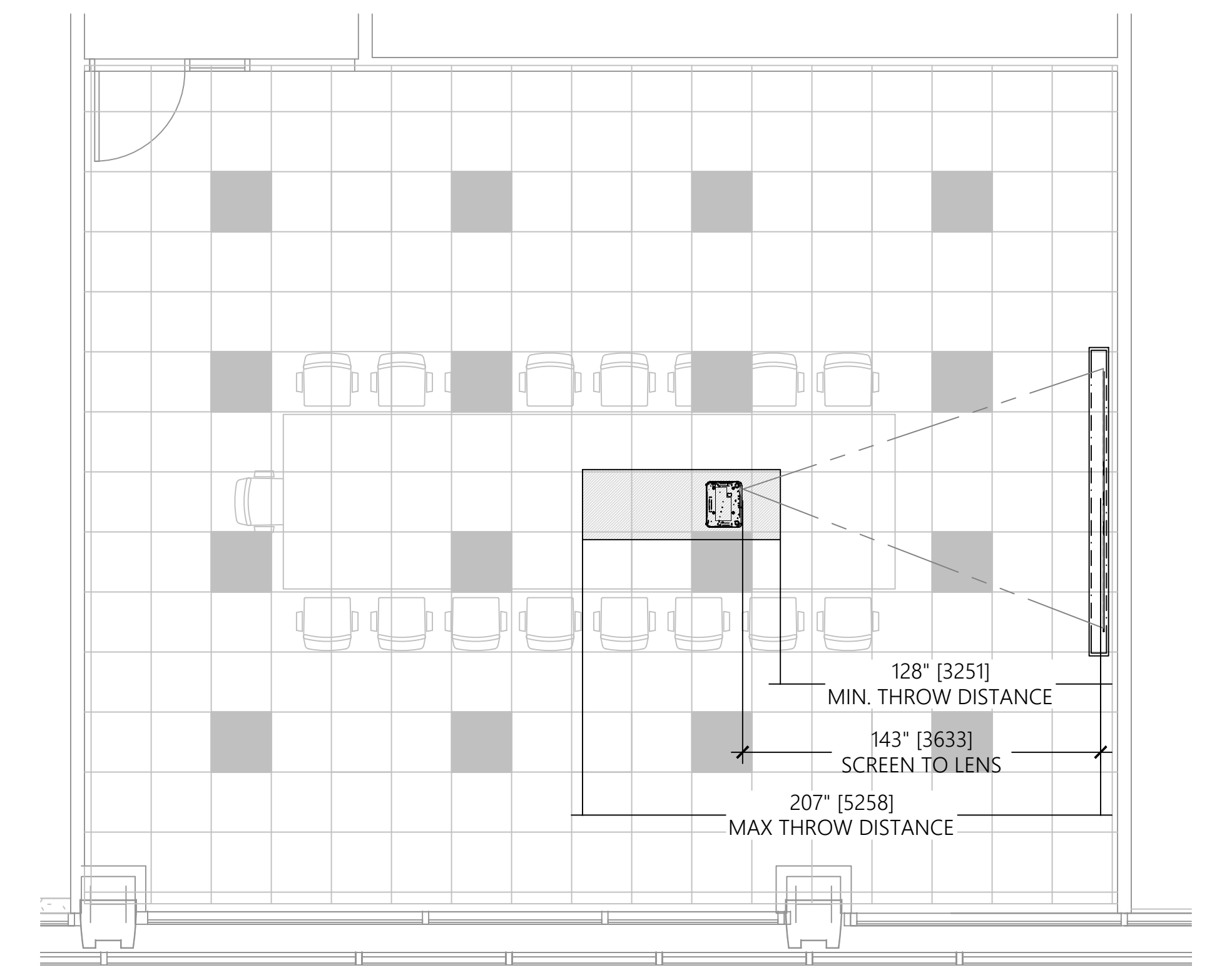
SHEET TITLE

TA104.1

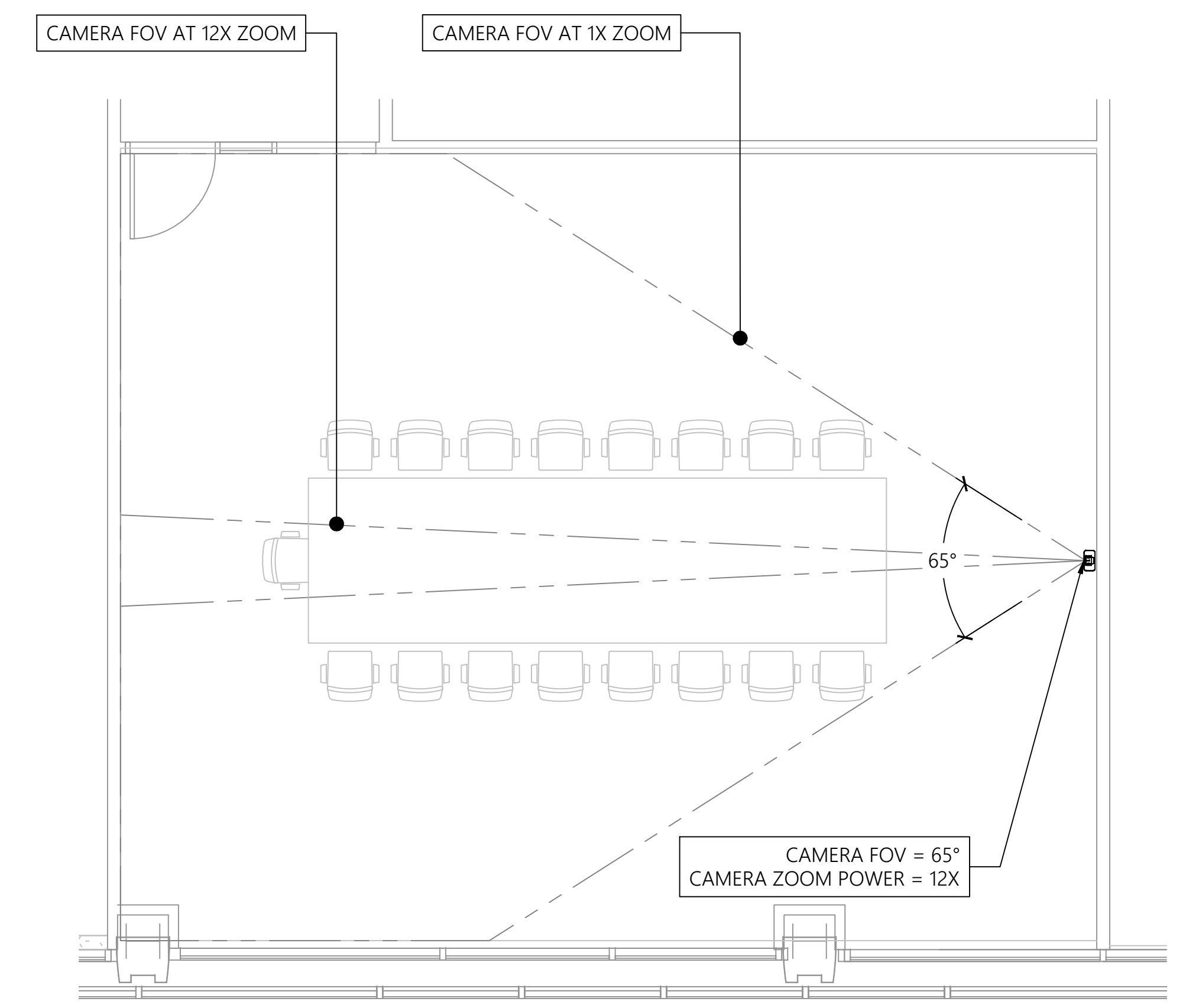
SHEET NUMBER:



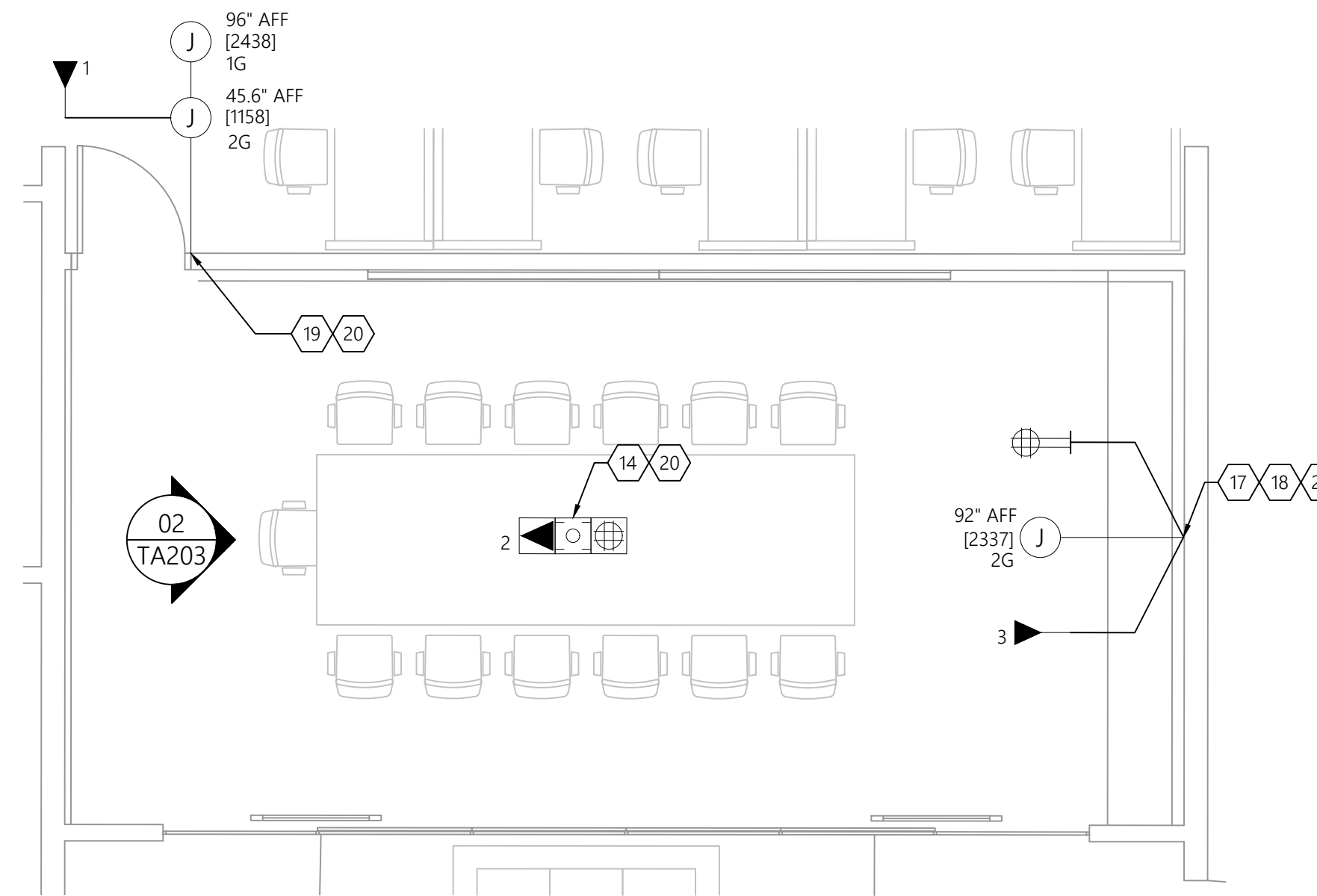
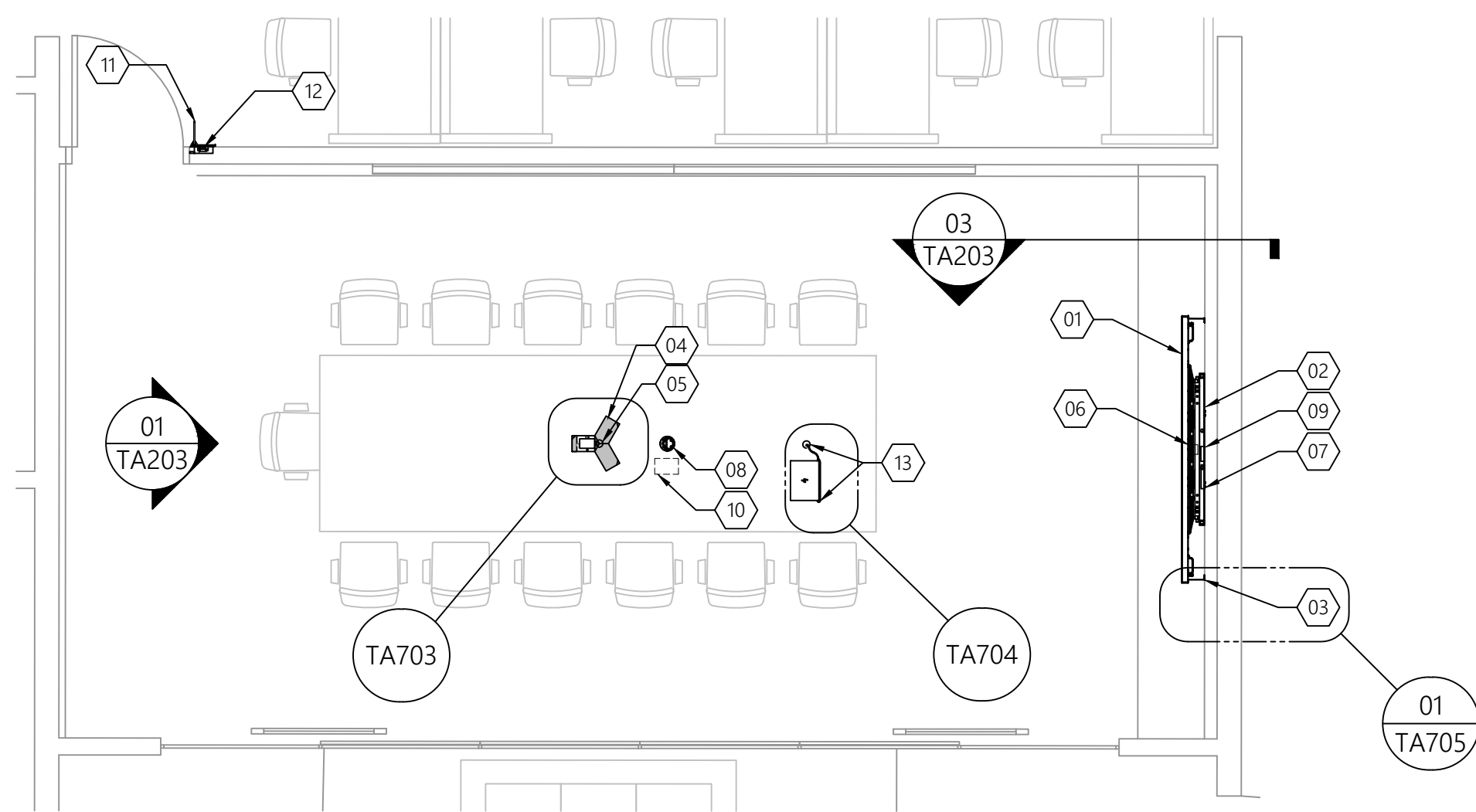
01 DISPLAY VIEWING RANGES- PLAN VIEW
 SIMPLE COLLABORATION ROOM - SCR119_PRO - TYPICAL REFERENCE
 Scale: 1/4" = 1'-0"



02 PROJECTOR THROW DISTANCE
 SIMPLE COLLABORATION ROOM - SCR119_PRO - TYPICAL REFERENCE
 Scale: 1/4" = 1'-0"



03 CAMERA FIELD OF VIEW ANGLES - PLAN VIEW
 SIMPLE COLLABORATION ROOM - SCR119_PRO - TYPICAL REFERENCE
 Scale: 1/4" = 1'-0"

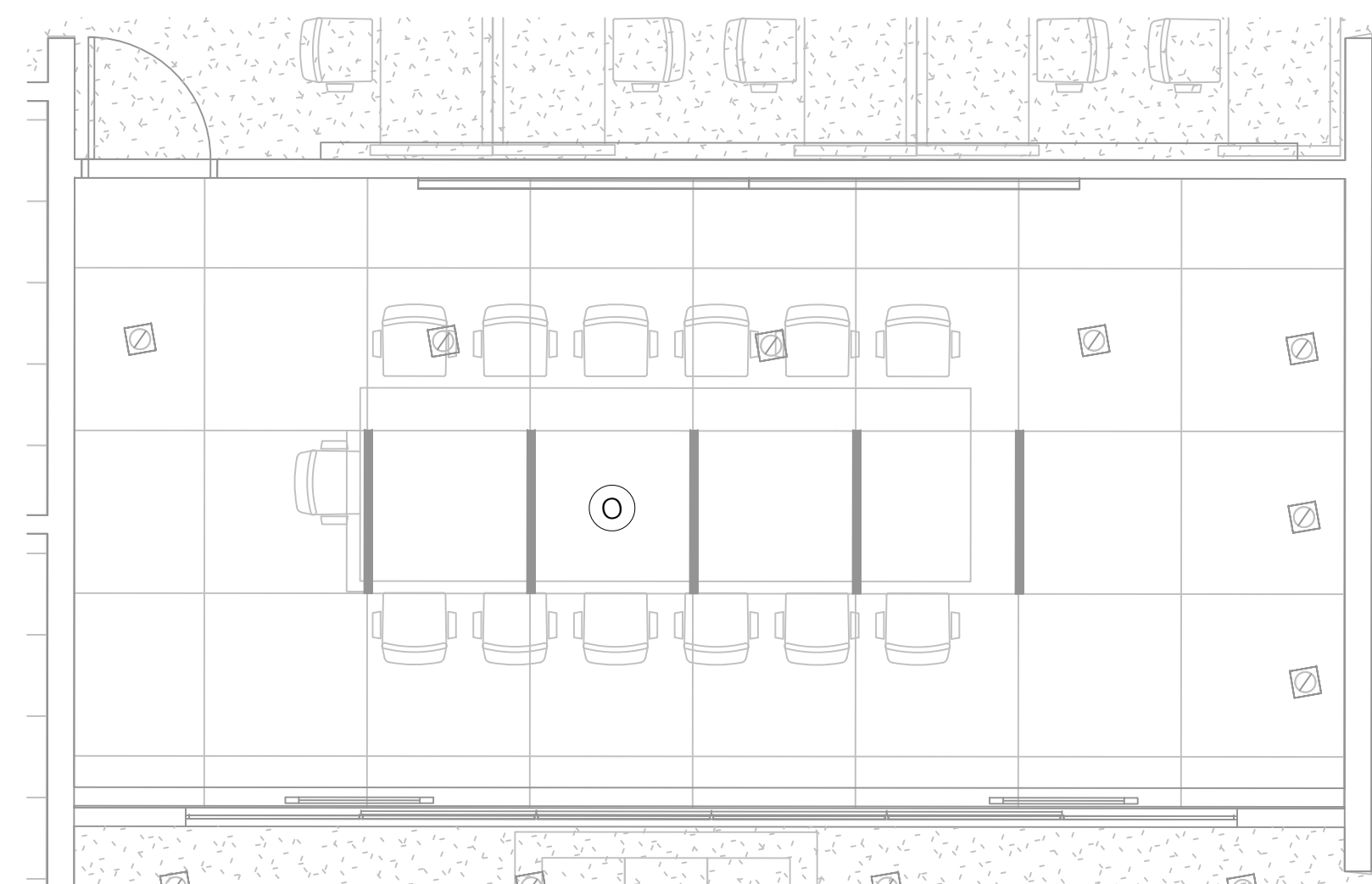
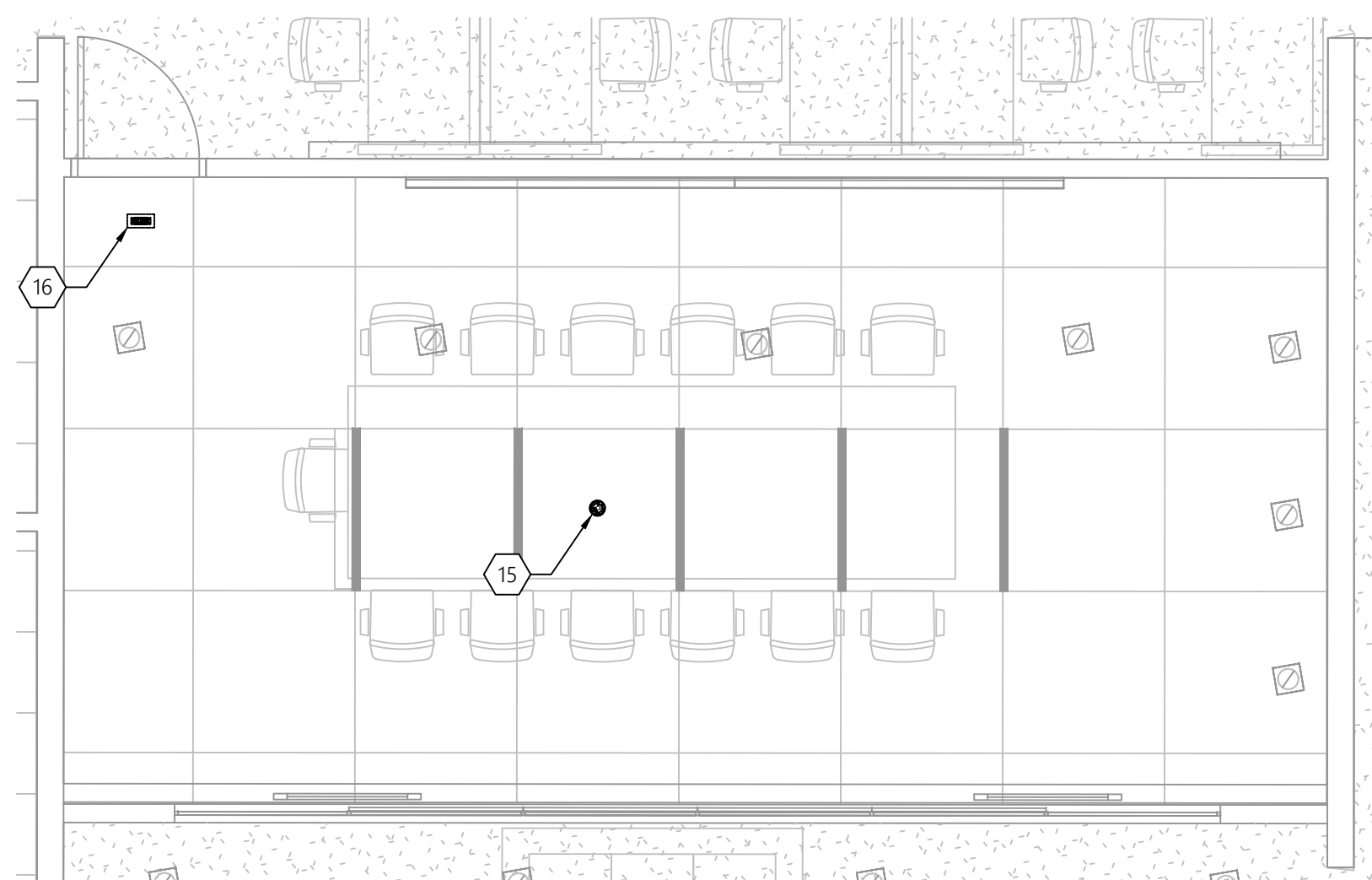


01 AV EQUIPMENT LAYOUT - PLAN VIEW

SIMPLE COLLABORATION ROOM - SCR98_PRO - TYPICAL REFERENCE
Scale: 1/4" = 1'-0"

02 AV FACILITY REQUIREMENTS - PLAN VIEW

SIMPLE COLLABORATION ROOM - SCR98_PRO - TYPICAL REFERENCE
Scale: 1/4" = 1'-0"



03 AV EQUIPMENT LAYOUT - RCP VIEW

SIMPLE COLLABORATION ROOM - SCR98_PRO - TYPICAL REFERENCE
Scale: 1/4" = 1'-0"

04 AV FACILITY REQUIREMENTS - RCP VIEW

SIMPLE COLLABORATION ROOM - SCR98_PRO - TYPICAL REFERENCE
Scale: 1/4" = 1'-0"

GENERAL NOTES

- A. ROOM LAYOUTS ARE TYPICAL AND ARE FOR REFERENCE ONLY. REFER TO ARCHITECTURAL PLANS FOR EXACT ROOM LAYOUTS
- B. ALL POWER, DATA TO BE PROVIDED BY OTHERS.
- C. THE AV SYSTEM SHOULD RECEIVE A SINGLE PHASE FEED THAT IS PROPERLY GROUNDED.
- D. ALL CIRCUITS TO BE 20A. VOLTAGE DICTATED BY REGION.

SHEET KEYNOTES

1. NEC C981Q LED COMMERCIAL GRADE 98" DISPLAY.
2. CDS MCN098XMWO-S02 SCISSOR DISPLAY MOUNT WITH CUSTOM SHELF FOR POLYCOM CUBE CAMERA.
3. CHIEF FCAC06B WALL DISPLAY SIDE COVER.
4. POLYCOM TRIO 8800 - PoE TO BE PROVIDED BY OTHERS.
5. 2" TABLE GROMMET BELOW POLYCOM TRIO 8800 FOR CABLE PASS THRU.
6. POLYCOM CUBE HDCI CAMERA.
7. POLYCOM TRIO VISUAL PRO.
8. CRESTRON TT-110-B-T CABLE CADDY.
9. CRESTRON HD-RX-201-C-E RECEIVER (PART OF HD-MD-400-C-E-KIT) MOUNTED TO CHIEF CSMP9X12 COMPONENT PANEL.
10. CRESTRON HD-TX-301-C-E (PART OF HD-MD-400-C-E-KIT) TO BE SURFACE MOUNTED BELOW TABLE.
11. CRESTRON SSW-102 MEETING ROOM AVAILABILITY SIGN. USE SSW-MUMK WHEN MOUNTING TO MULLION/GLASS.
12. CRESTRON TSS-7-W-S 7" SCHEDULING PANEL. USE TS-7/10-MUMK-W MOUNTING KIT WHEN MOUNTING TO MULLION.
13. KIOSK LAPTOP WITH 2" GROMMET FOR POWER CABLE/KENSINGTON CABLE LOCK PASS THRU.
14. EC/OWNER PROVIDED POKE THRU OR FLOOR BOX.
15. CRESTRON GLS-ODT-C-CN DUAL TECHNOLOGY OCCUPANCY SENSOR. EXACT LOCATION TO BE VERIFIED.
16. CRESTRON CNTBLOCK - PLENUM RATED BOX REQUIRED WHEN INSTALLED IN PLENUM AIRSPACE (MINIMUM DIMENSIONS FOR BOX - 2" H x 8" W x 4" D). PLENUM BOX PROVIDED AND INSTALLED BY OTHERS. CRESNET CABLE TO BE RAN TO COMM ROOM OR NEXT ROOM IN ZONE.
17. STRUCTURAL SUPPORT AND BACKING FOR THE DISPLAY PROVIDED BY OTHERS. PLYWOOD OR STEEL STRAPPING SUPPORTED BY NO LESS THAN TWO (2) WALL STUDS. THE WALL TO WHICH THE A/V EQUIPMENT IS MOUNTED MUST BE CAPABLE OF SUPPORTING FIVE TIMES (5x) THE TOTAL WEIGHT.
18. (1) 1" CONDUIT STUBBED FROM J-BOX TO ACCESSIBLE CEILING.
19. (1) 1" CONDUIT STUBBED TO ACCESSIBLE CEILING.
20. POWER AND DATA TO BE PROVIDED BY OTHERS.

LEVEL 3
AUDIO VISUAL

955 E. Javelina Avenue
Mesa, Arizona 85204
T: 480.892.1071
F: 480.892.5295
www.L3AV.com

CLIENT: **GLOBAL ENTERPRISE STANDARDS SIMPLE COLLABORATION ROOM - PRO (SCR_PRO)**

PROJECT NAME:

SITE ADDRESS:

NO.	DATE	DESCRIPTION
1	01/01/01	FOR CONSTRUCTION

ISSUED FOR:

PROJECT NO.:

SCALE: **1/4" = 1'**

DRAWN BY:

REVIEWED BY:

APPROVED BY:

APPROVED DATE:

ROOM TYPE: **SCR98 PRO**

AV ENLARGEMENTS - SCR98 PRO TYPICAL

NETWORK PORT DETAILS			
LOCATION	POE YES/NO	PORT QTY	POE BUDGET (WATTS)
TSS-7	PoE+	1	30.00
TRIO	PoE+	1	25.50
VISUAL PRO	NO	1	0.00
NEC	NO	1	0.00
CRESTRON RX	NO	1	0.00
USER DATA	NO	1	0.00
TOTALS		6	55.50

SHEET TITLE: **TA201**

SHEET NUMBER:

GENERAL NOTES

- A. ROOM LAYOUTS ARE TYPICAL AND ARE FOR REFERENCE ONLY. REFER TO ARCHITECTURAL PLANS FOR EXACT ROOM LAYOUTS.
- B. AUDIO CABLES, CONTROL CABLES, VIDEO CABLES AND SPEAKER CABLES SHALL BE ROUTED IN SEPARATE GALVANIZED STEEL CONDUITS.
- C. A PULLBOX IS REQUIRED FOR ANY CONDUIT OR PATHWAY THAT IS MORE THAN 100 FEET OR 30 METERS IN A CONTINUOUS LENGTH.
- D. ANY CONDUIT OR PATHWAY WITH MORE THAN 180 DEGREES ACCUMULATIVE BEND REQUIRES A PULLBOX FOR EVERY 180 DEGREES OF BEND.
- E. ALL EMPTY CONDUIT AND RACEWAYS SHALL HAVE A 1/8" (4mm) PULL-STRING WITH A TENSILE STRENGTH OF 200 POUNDS (90 KG). CAP OPEN ENDS NOT TERMINATED IN A JUNCTION BOX.
- F. CABLE ROUTED BELOW RAISED FLOORING WILL BE FREE AIRED. ALL OTHER APPLICATIONS REQUIRE CONTINUOUS CONDUIT.



CLIENT:

**GLOBAL ENTERPRISE STANDARDS
SIMPLE COLLABORATION ROOM -
PRO (SCR_PRO)**

PROJECT NAME:

SITE ADDRESS:

NO.	DATE	DESCRIPTION
1	01/01/01	FOR CONSTRUCTION

ISSUED FOR:

PROJECT NO.:

SCALE: **NTS**

DRAWN BY:

REVIEWED BY:

APPROVED BY:

APPROVED DATE:

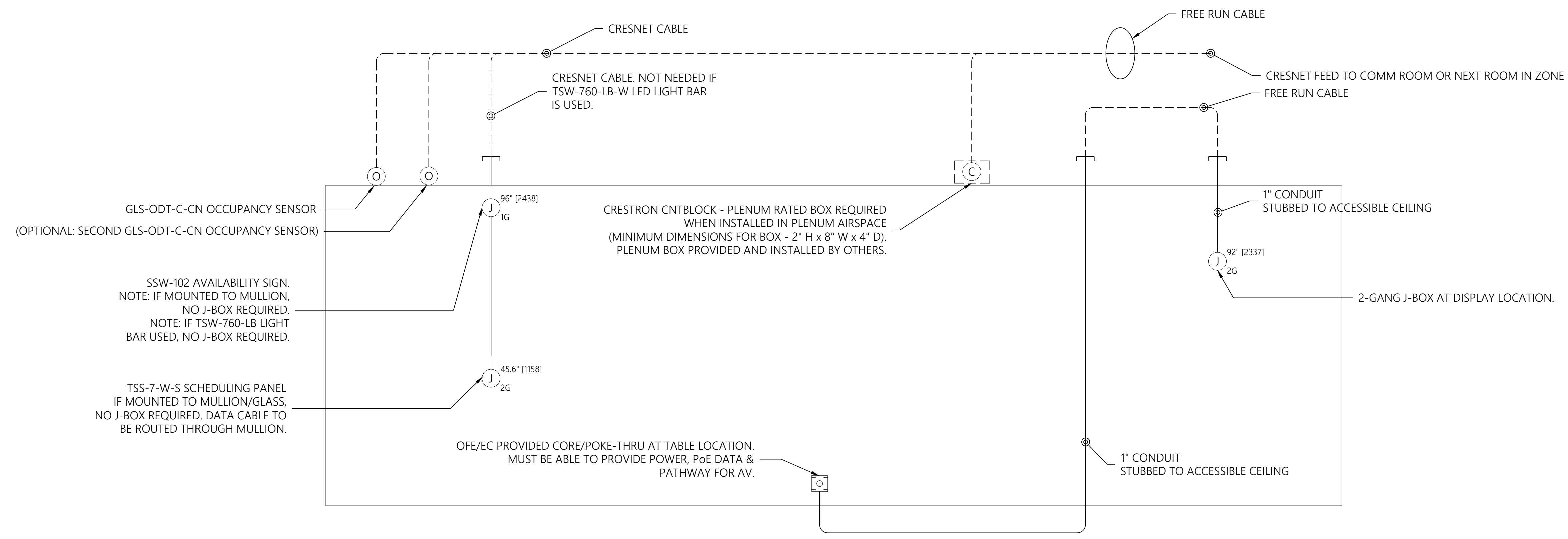
ROOM TYPE: **SCR98 PRO**

**AV RISER
DIAGRAMS -
SCR98 PRO
TYPICAL**

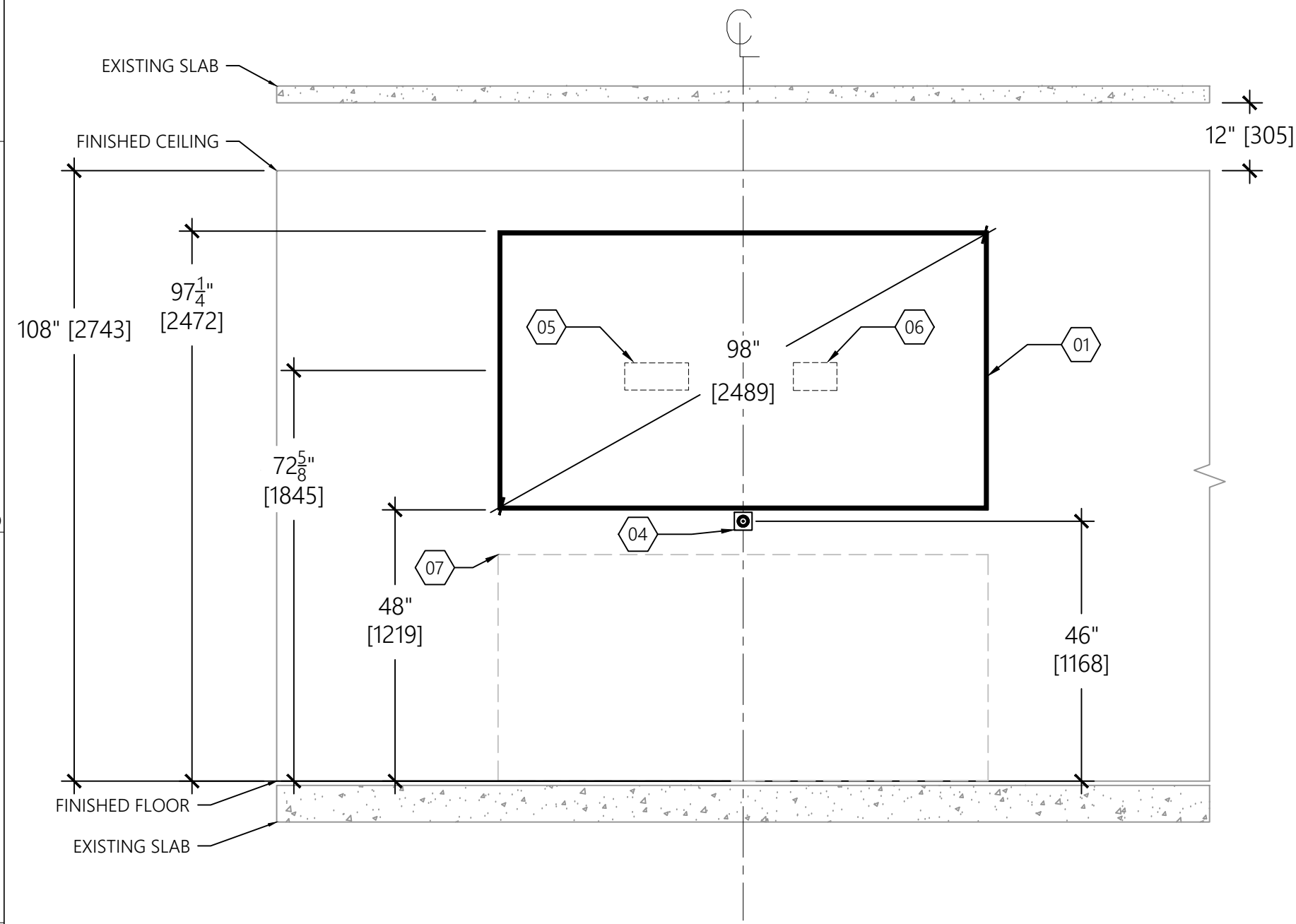
SHEET TITLE

TA202

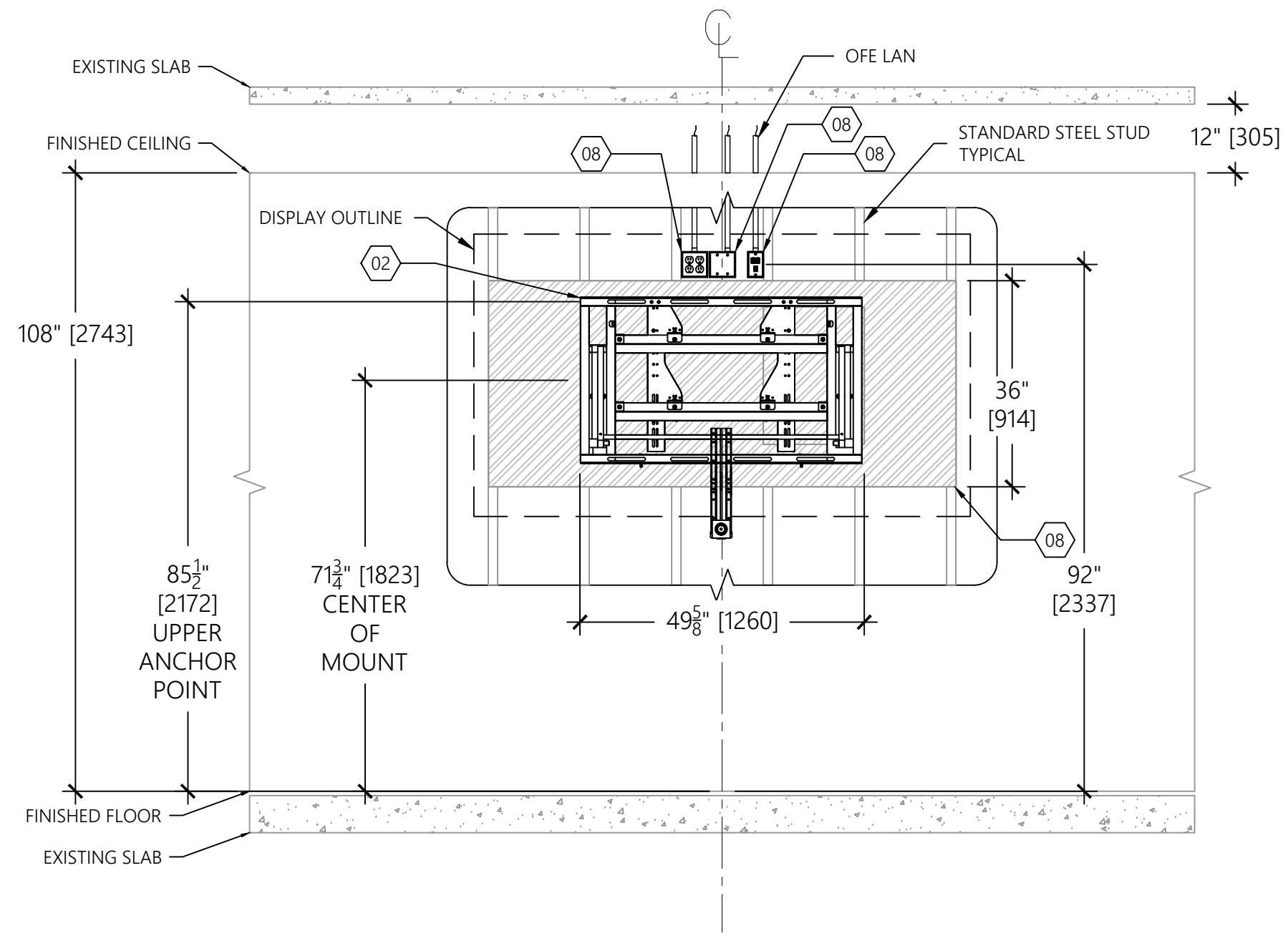
SHEET NUMBER:



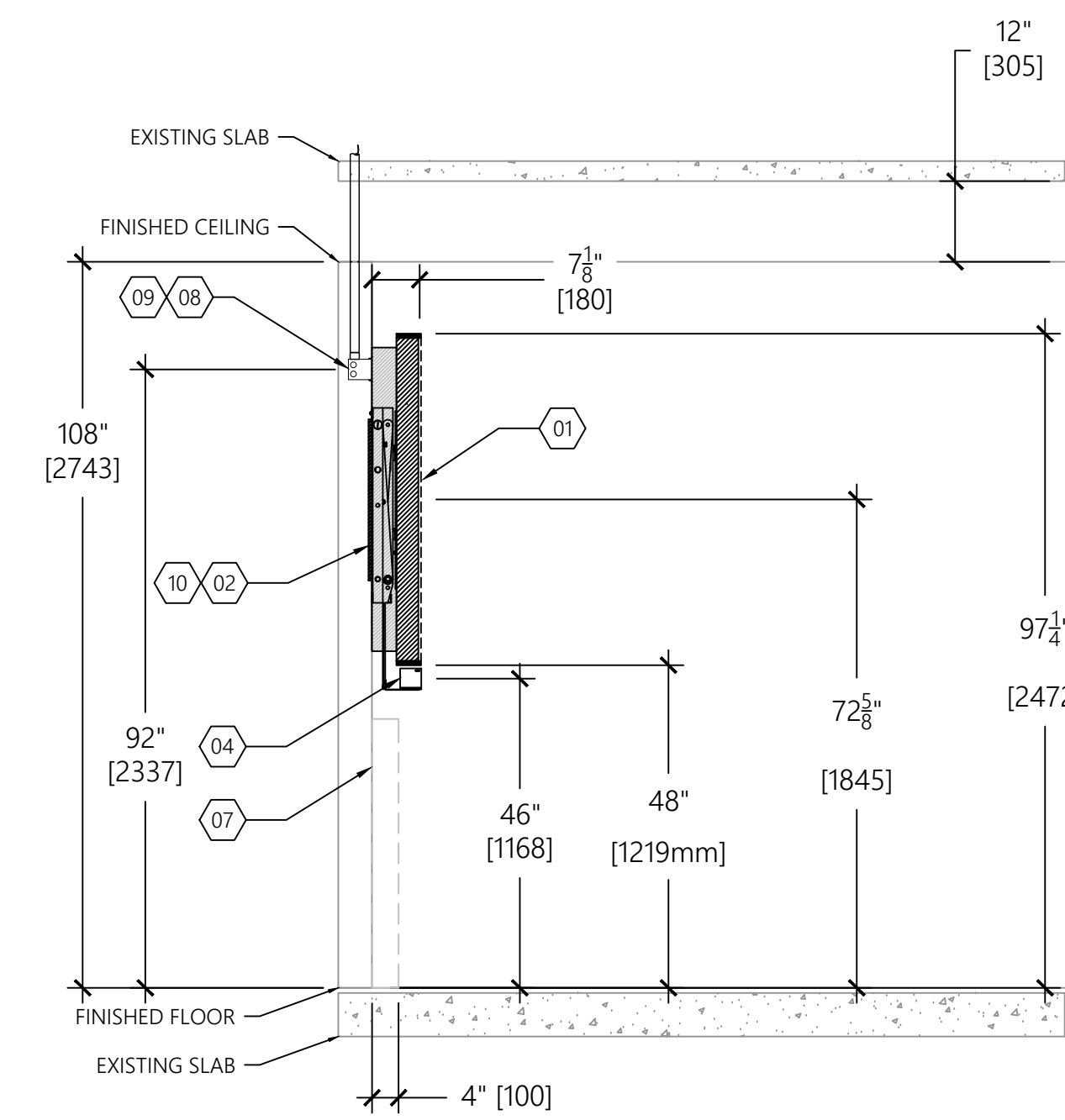
01 AV CONDUIT RISER DIAGRAM
SIMPLE COLLABORATION ROOM - SCR98_PRO - TYPICAL REFERENCE



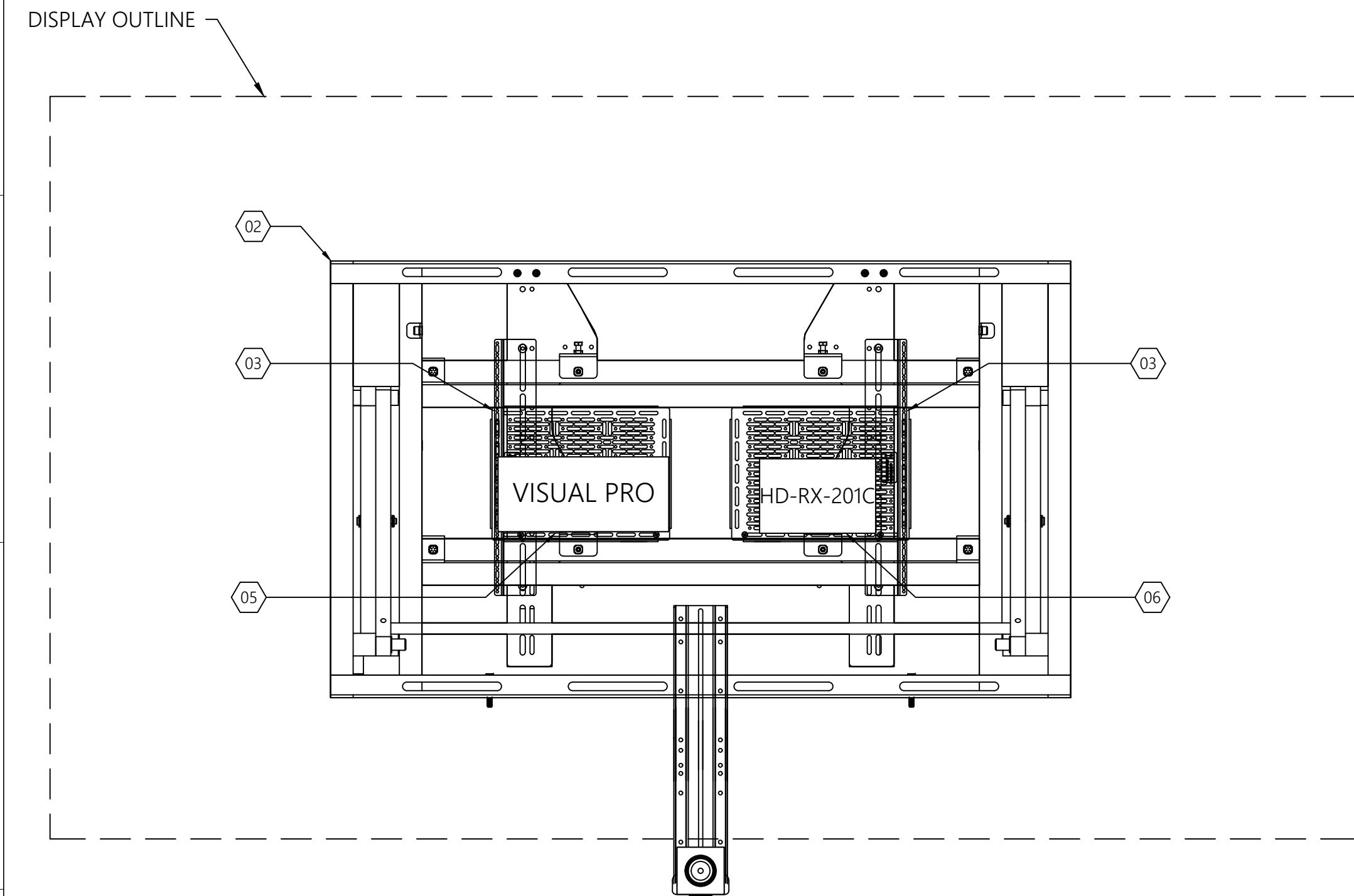
01 AV EQUIPMENT LAYOUT - ELEVATION
SIMPLE COLLABORATION ROOM - SCR98_PRO - TYPICAL REFERENCE
Scale: 1/2" = 1'-0"



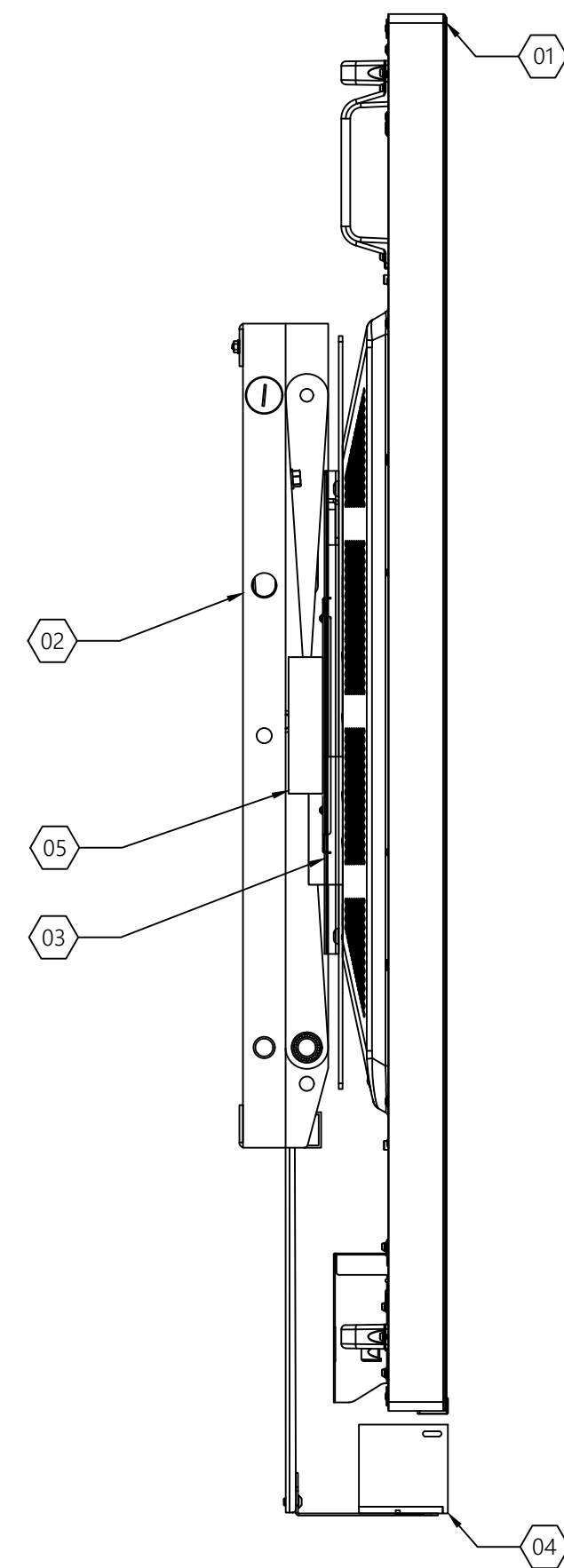
02 AV ELECTRICAL & FACILITY REQS. - ELEVATION
SIMPLE COLLABORATION ROOM - SCR98_PRO - TYPICAL REFERENCE
Scale: 1/2" = 1'-0"



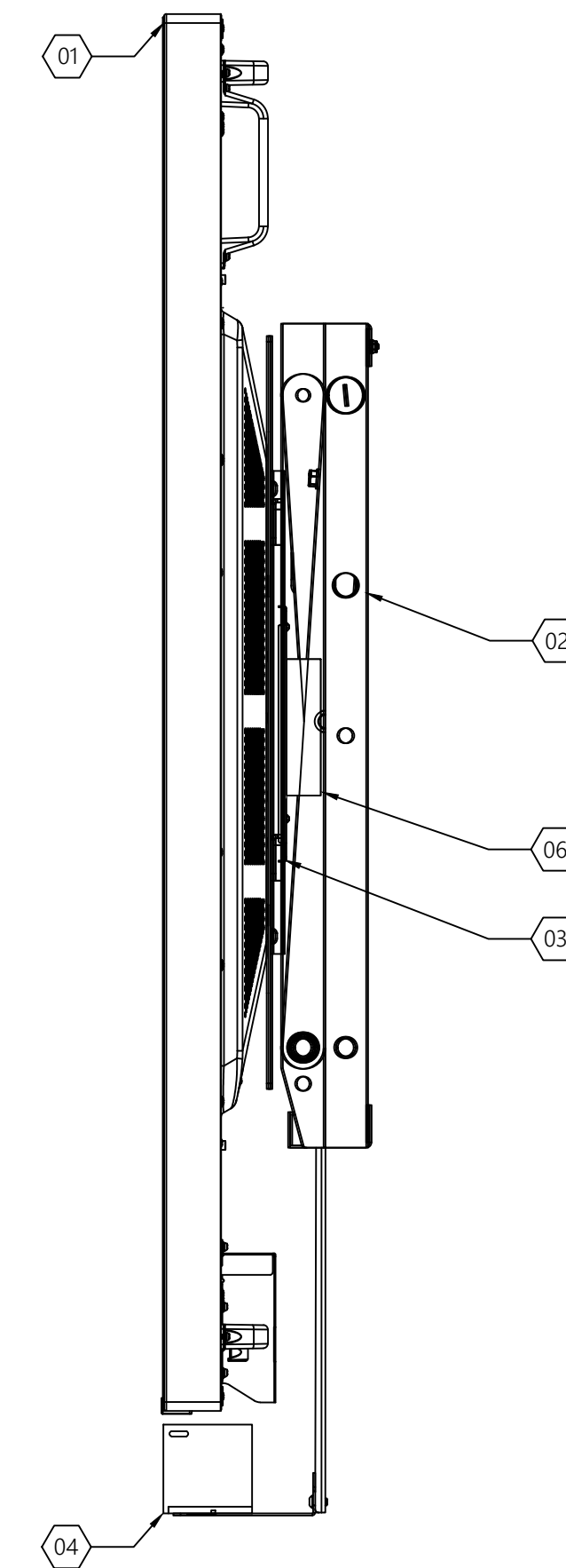
03 AV DISPLAY SECTION VIEW
SIMPLE COLLABORATION ROOM - SCR98_PRO - TYPICAL REFERENCE
Scale: 1/2" = 1'-0"



04 AV EQUIP. MOUNTING DETAIL - FRONT
SIMPLE COLLABORATION ROOM - SCR98_PRO - TYPICAL REFERENCE
Scale: 1-1/2" = 1'-0"



05 AV EQUIP. MOUNTING DETAIL - LEFT
SIMPLE COLLABORATION ROOM - SCR98_PRO - TYPICAL REFERENCE
Scale: 2" = 1'-0"



06 AV EQUIP. MOUNTING DETAIL - RIGHT
SIMPLE COLLABORATION ROOM - SCR98_PRO - TYPICAL REFERENCE
Scale: 2" = 1'-0"

GENERAL NOTES

- A. ROOM LAYOUTS ARE TYPICAL AND ARE FOR REFERENCE ONLY. REFER TO ARCHITECTURAL PLANS FOR EXACT ROOM LAYOUTS.
- B. ALL POWER, DATA TO BE PROVIDED BY OTHERS.
- C. THE AV SYSTEM SHOULD RECEIVE A SINGLE PHASE FEED THAT IS PROPERLY GROUNDED.

SHEET KEYNOTES

1. NEC C981Q LED COMMERCIAL GRADE 98" DISPLAY.
2. CDS -MCN098XMWO-S02 SCISSOR DISPLAY MOUNT WITH CUSTOM SHELF FOR POLYCOM CUBE CAMERA.
3. CHIEF CSMP9X12 COMPONENT STORAGE PANEL.
4. POLYCOMM CUBE HDCI CAMERA.
5. POLYCOM TRIO VISUALPRO.
6. CRESTRON HD-RX-201-C-E RECEIVER (PART OF HD-MD-400-C-E-KIT).
7. FURNITURE OR BUMP OUT BELOW DISPLAY PROVIDED BY OTHERS. MUST EQUAL WIDTH OF DISPLAY AND PROTRUDE A MINIMUM OF 4" FROM WALL.
8. POWER & DATA BY OTHERS.
9. 2-GANG J-BOX WITH (1) 1" CONDUIT STUBBED TO ACCESSIBLE CEILING SPACE.
10. STRUCTURAL SUPPORT AND BACKING FOR THE DISPLAY PROVIDED BY OTHERS. PLYWOOD OR STEEL STRAPPING SUPPORTED BY NO LESS THAN TWO (2) WALL STUDS. THE WALL TO WHICH THE A/V EQUIPMENT IS MOUNTED MUST BE CAPABLE OF SUPPORTING FIVE TIMES (5x) THE TOTAL WEIGHT.



955 E. Javelina Avenue
Mesa, Arizona 85204
T: 480.892.1071
F: 480.892.5295
www.L3AV.com

CLIENT:

**GLOBAL ENTERPRISE STANDARDS
SIMPLE COLLABORATION ROOM -
PRO (SCR_PRO)**

PROJECT NAME:

SITE ADDRESS:

NO.	DATE	DESCRIPTION
1	01/01/01	FOR CONSTRUCTION

ISSUED FOR:

PROJECT NO.:

SCALE: **N/A**

DRAWN BY:

REVIEWED BY:

APPROVED BY:

APPROVED DATE: **12/13/2019**

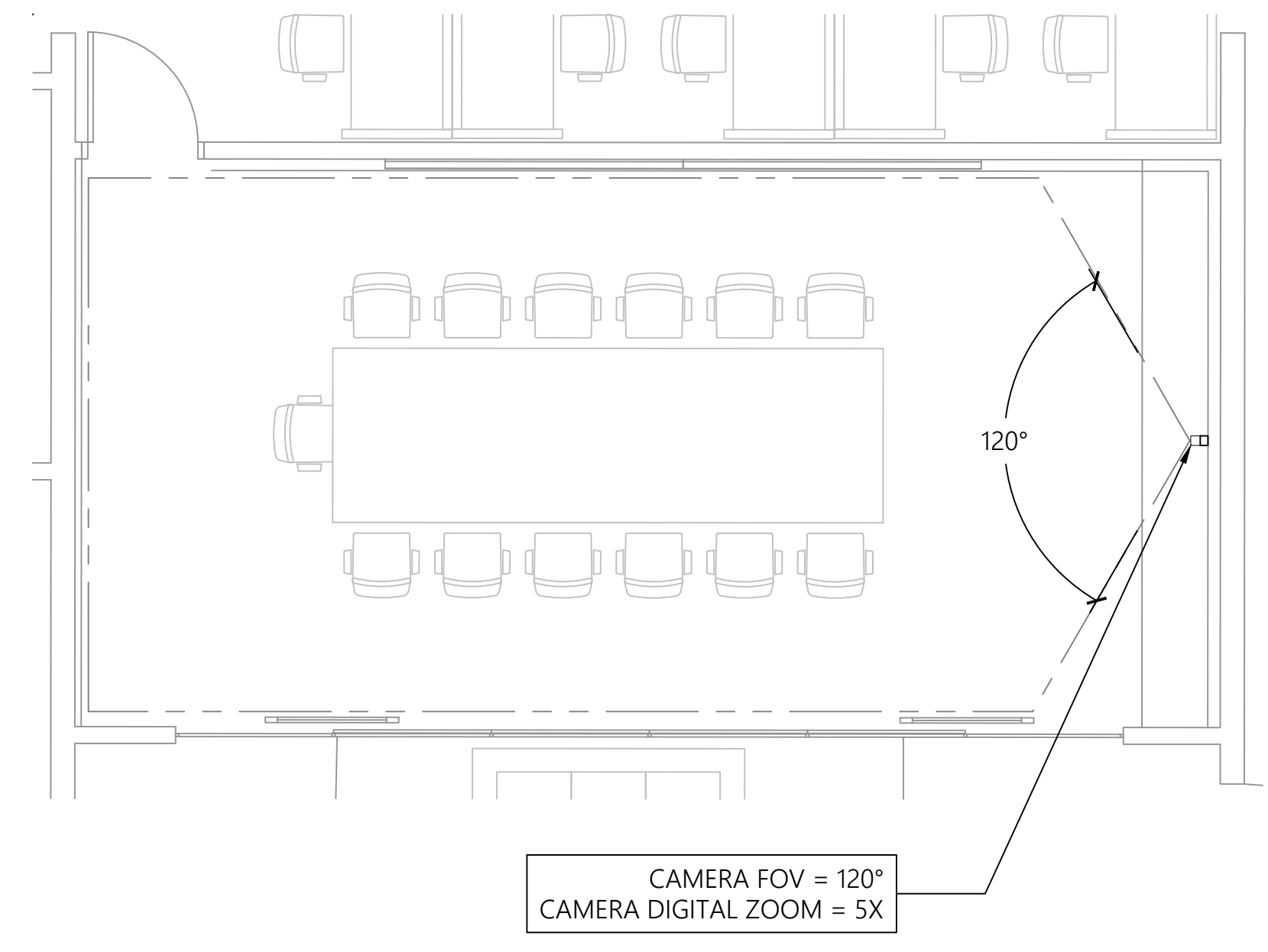
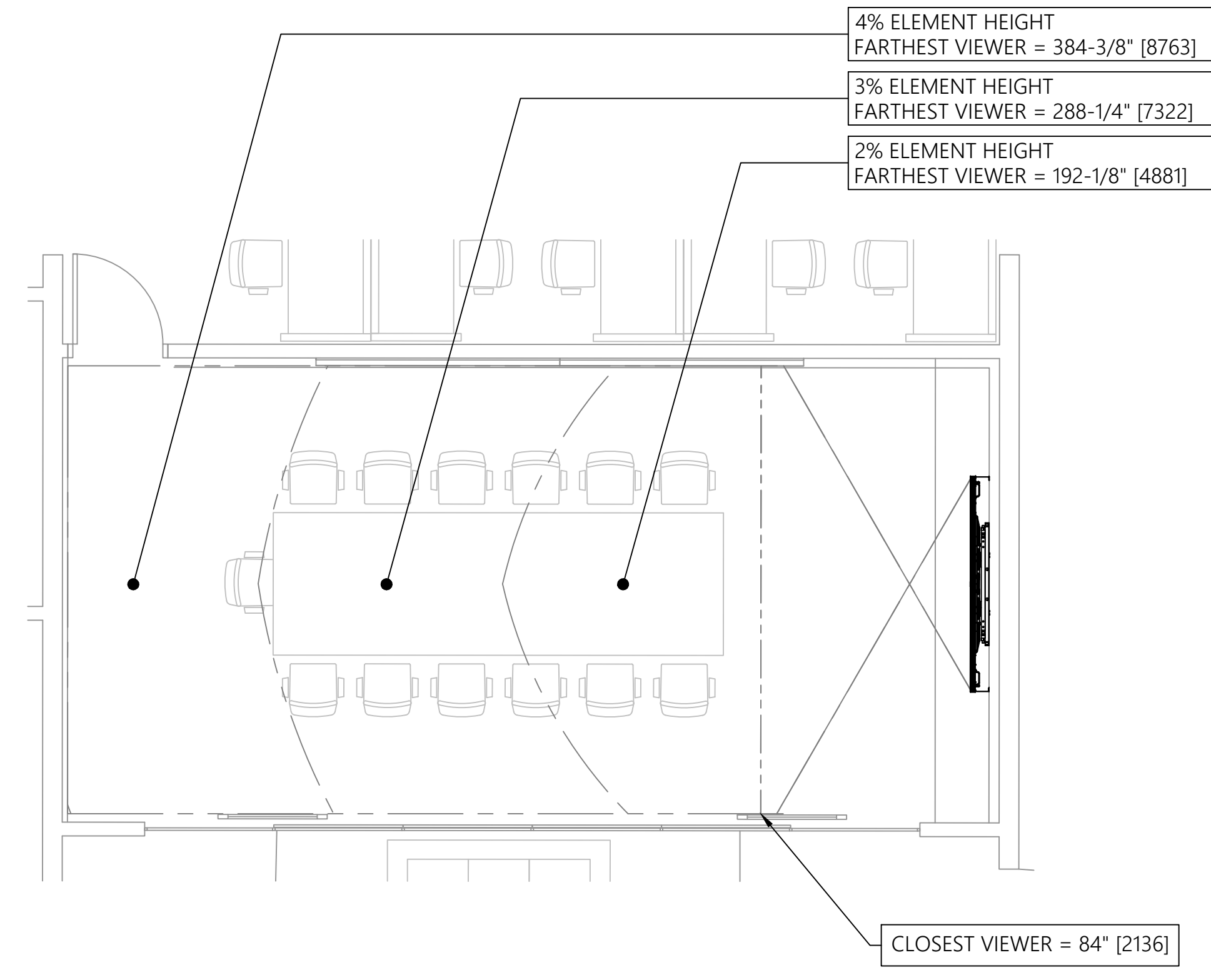
ROOM TYPE: **SCR98 PRO**

**AV DISPLAY &
MOUNTING
ELEVATIONS -
SCR98 PRO
TYPICAL**

SHEET TITLE

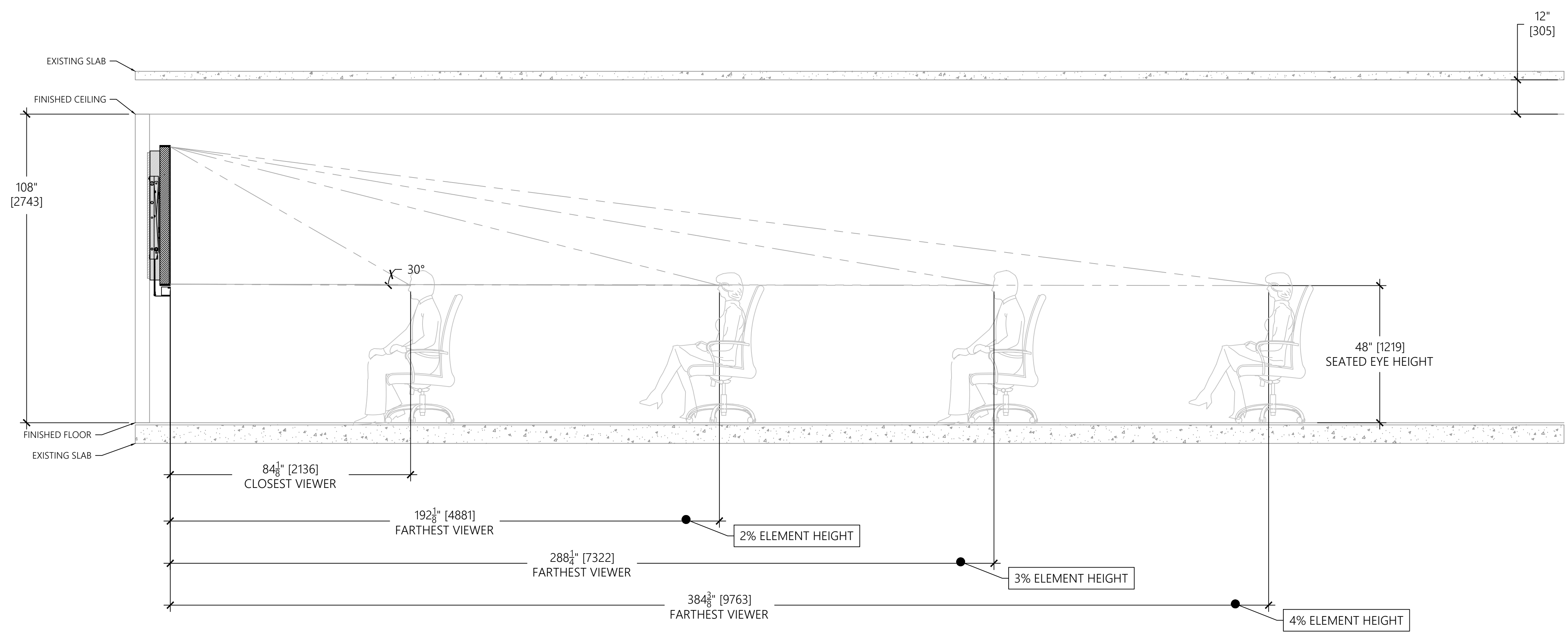
TA203

SHEET NUMBER:



01 DISPLAY VIEWING RANGES- PLAN VIEW
 SIMPLE COLLABORATION ROOM - SCR98_PRO - TYPICAL REFERENCE
 Scale: 1/4" = 1'-0"

02 CAMERA FIELD OF VIEW ANGLES - PLAN VIEW
 SIMPLE COLLABORATION ROOM - SCR98_PRO - TYPICAL REFERENCE
 Scale: 1/4" = 1'-0"



03 AV SIGHTLINE STUDY
 SIMPLE COLLABORATION ROOM - SCR98_PRO - TYPICAL REFERENCE
 Scale: 1/2" = 1'-0"

GENERAL NOTES

- A. ROOM LAYOUTS ARE TYPICAL AND ARE FOR REFERENCE ONLY. REFER TO ARCHITECTURAL PLANS FOR EXACT ROOM LAYOUTS
- B. VIEWING DISTANCES & VIEWING RANGES ARE DETERMINED USING THE AVIXA V202.01:2016 DISCAS (DISPLAY IMAGE SIZE FOR 2D CONTENT IN AUDIOVISUAL SYSTEMS) STANDARD.
- C. ALL VIEWING RANGES ARE CALCULATED SO THE VIEWER CAN MAKE BASIC DECISIONS BASED ON THE DISPLAYED IMAGE.
- D. ELEMENT HEIGHT IS THE RATIO OF THE HEIGHT OF THE SMALLEST INTENDED CONTENT TO THE VERTICAL HEIGHT OF THE IMAGE.

955 E. Javelina Avenue
 Mesa, Arizona 85204
 T: 480.892.1071
 F: 480.892.5295
 www.L3AV.com

CLIENT:
 GLOBAL ENTERPRISE STANDARDS
 SIMPLE COLLABORATION ROOM -
 PRO (SCR_PRO)

PROJECT NAME:

SITE ADDRESS:

NO.	DATE	DESCRIPTION
1	01/01/01	FOR CONSTRUCTION

ISSUED FOR:

PROJECT NO.:

SCALE: N/A

DRAWN BY:

REVIEWED BY:

APPROVED BY:

APPROVED DATE:

ROOM TYPE: SCR98 PRO

AV SIGHT LINE STUDIES - SCR98 PRO TYPICAL

SHEET TITLE

TA204

SHEET NUMBER:

PLACEMENT NOTES

- A. AVOID AREAS WHERE FALSE TRIPPING MAY OCCUR DUE TO OUTSIDE MOTION SUCH AS AN OPEN DOOR.
- B. IDENTIFY AND AVOID AREAS OF POSSIBLE VIBRATIONS AND AIR CURRENTS (E.G. PROJECTORS, FANS, VENTS) AND MOUNT THE SENSOR AT LEAST 5 FEET (2 METERS) AWAY FROM THESE ITEMS.
- C. THE INCLUDED MASKS CHANGE THE DETECTION AREA OF THE PIR SENSOR. INSERT THE HALF MASK INTO THE DOME OF THE GLS-ODT-C-CN TO BLOCK 180° OF THE DETECTION AREA OR REMOVE ANY OF THE TWELVE 30° PERFORATIONS FROM THE FULL MASK FOR A CUSTOM DETECTION AREA.
- D. SENSOR MAY BE CONFIGURED TO USE PIR ONLY - THE PIR SENSOR IS USED TO DETECT MOTION. US SENSORS ARE TURNED OFF.
- E. SENSOR MAY BE CONFIGURED TO ULTRASONIC ONLY - THE US SENSORS ARE USED TO DETECT MOTION. THE PIR SENSOR IS TURNED OFF.
- F. THE ULTRASONIC SENSORS ARE SPLIT INTO TWO BANKS (BANK A & BANK B) WHICH ARE LABELED UNDER THE COVER OF THE SENSOR.
- G. IF THE SENSOR IS INSTALLED AND THE ORIENTATION OF THE ULTRASONIC SENSORS IS UNKNOWN, BANK A IS LOCATED ON THE RED LED SIDE OF THE SENSOR AND BANK B IS LOCATED ON THE GREEN LED SIDE OF THE SENSOR.
- H. SENSOR CAN BE CONFIGURED TO DISABLE BANK A OR BANK B INDEPENDENTLY.



955 E. Javelina Avenue
Mesa, Arizona 85204
T: 480.892.1071
F: 480.892.5295
www.L3AV.com

CLIENT: GLOBAL ENTERPRISE STANDARDS SIMPLE COLLABORATION ROOM - PRO (SCR_PRO)

PROJECT NAME:

SITE ADDRESS:

NO.	DATE	DESCRIPTION
1	01/01/01	FOR CONSTRUCTION

ISSUED FOR:

PROJECT NO.:

SCALE: N/A

DRAWN BY:

REVIEWED BY:

APPROVED BY:

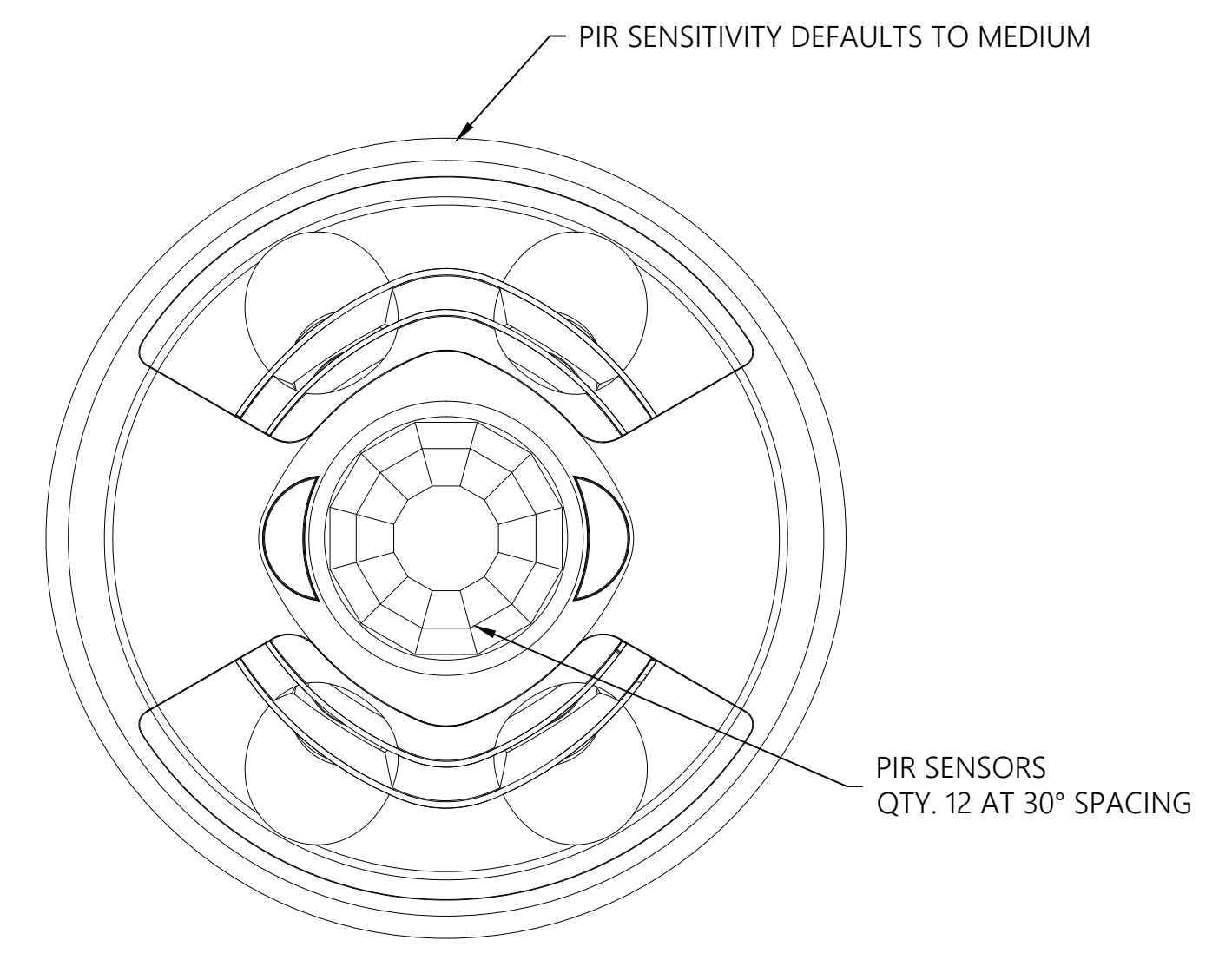
APPROVED DATE:

ROOM TYPE: SCR98 PRO

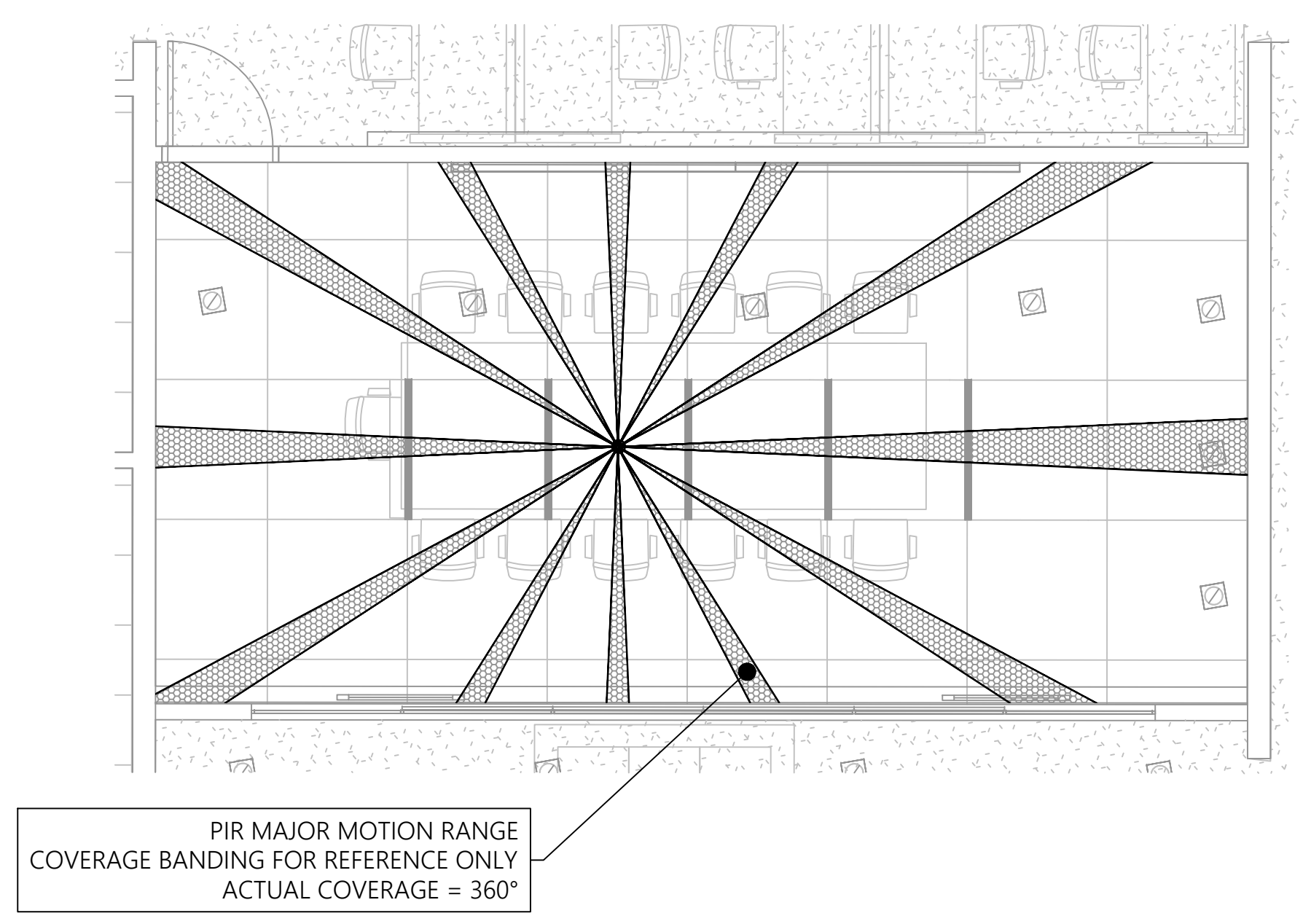
AV OCCUPANCY SENSOR COVERAGE DETAIL - SCR98 PRO TYPICAL

SHEET TITLE: TA205

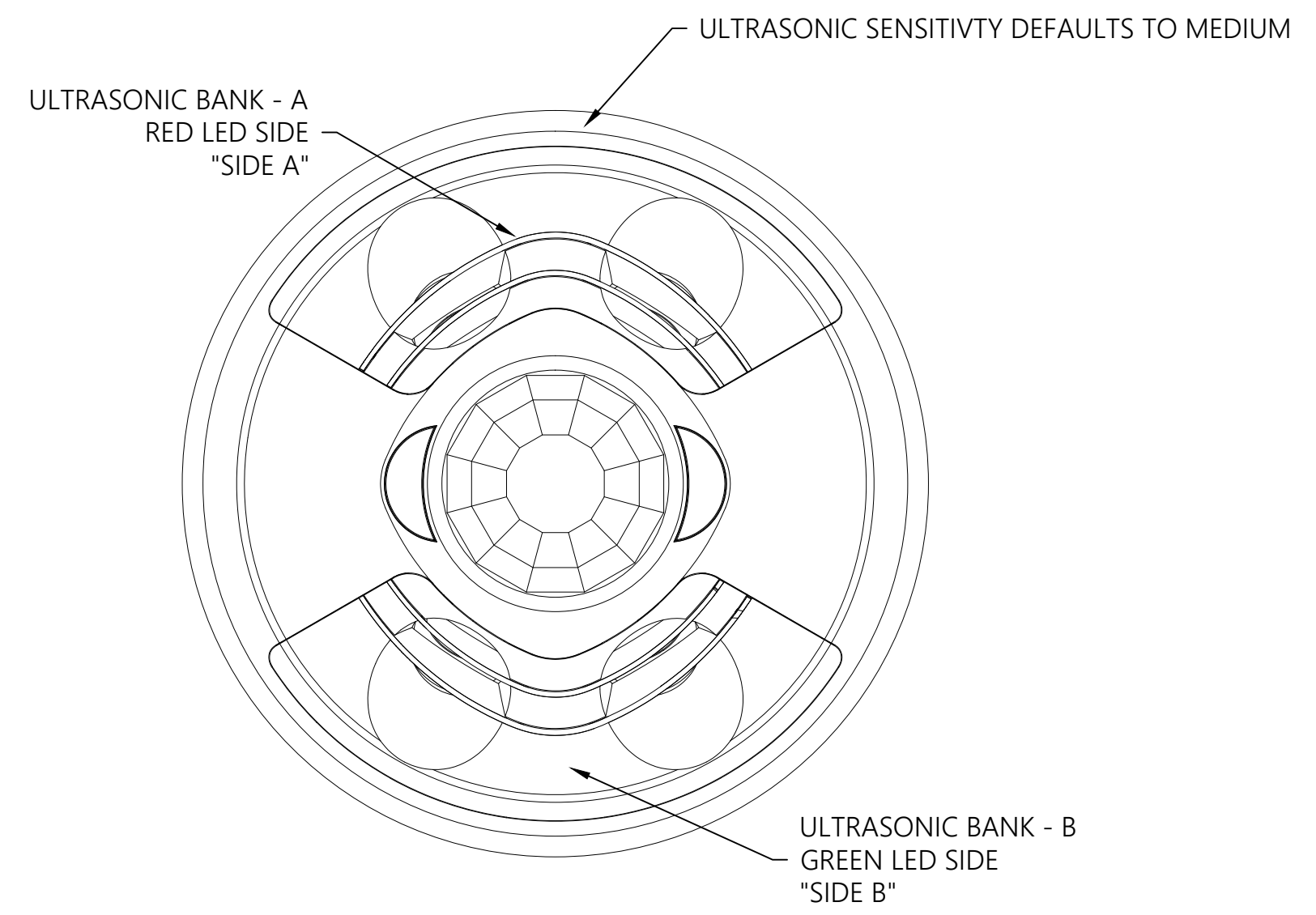
SHEET NUMBER:



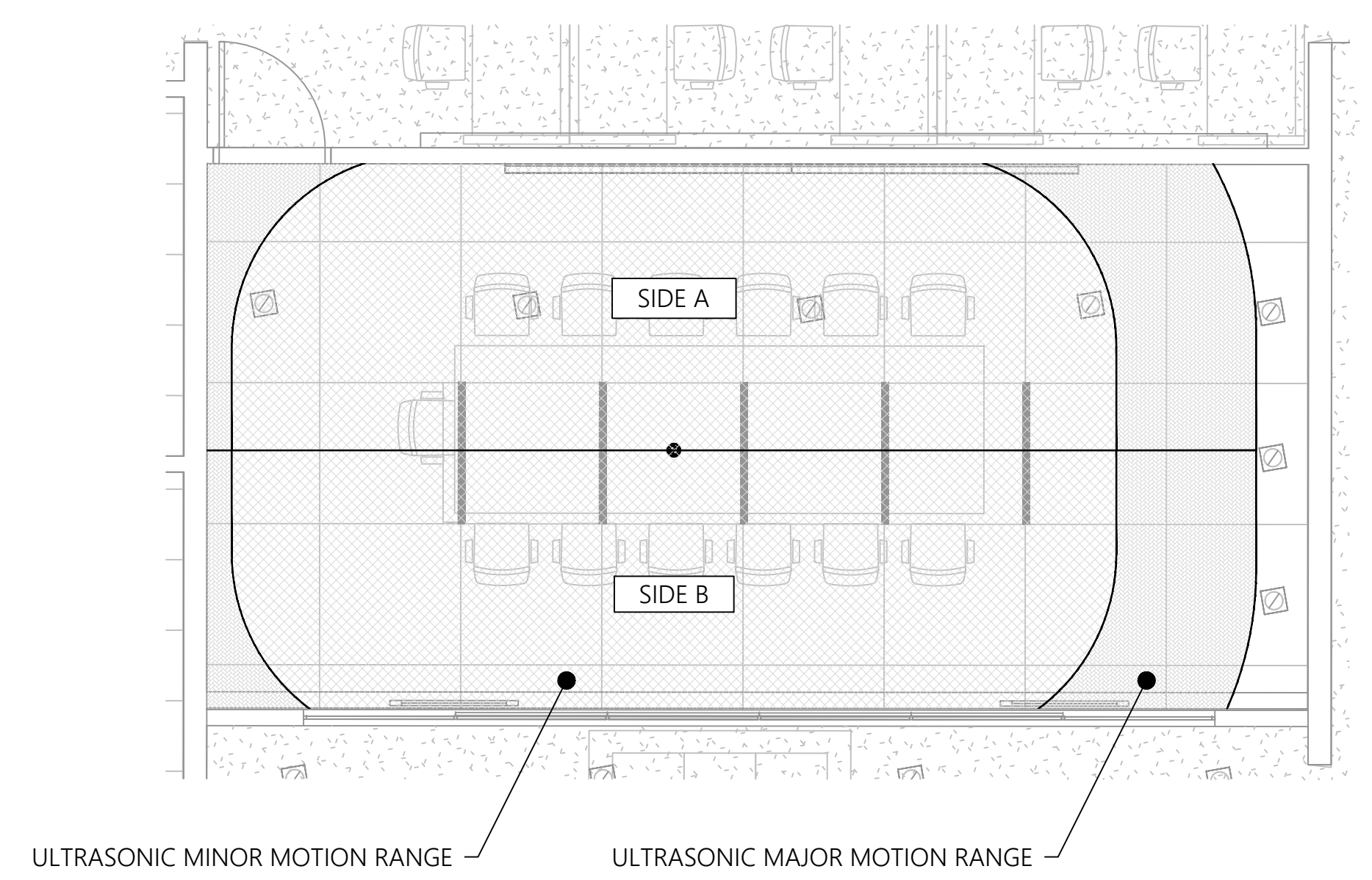
02 AV OCCUPANCY SENSOR PASSIVE INFRARED DETAIL
CRESTRON - GLS-ODT-C-CN
Scale: 1:1



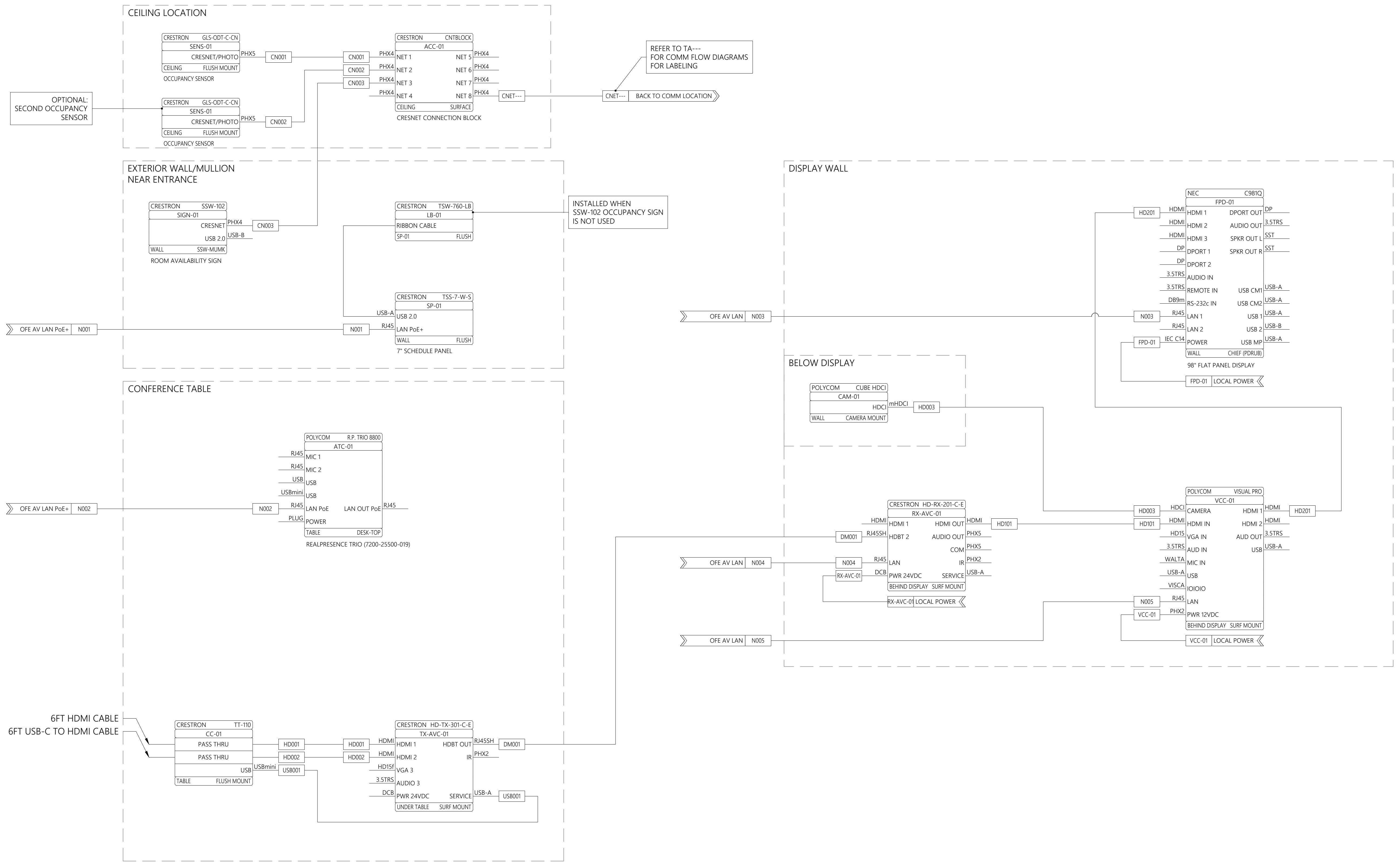
01 AV OCCUPANCY SENSOR PASSIVE INFRARED COVERAGE
SIMPLE COLLABORATION ROOM - SCR98_PRO - TYPICAL REFERENCE
Scale: 1/4" = 1'-0"



04 AV OCCUPANCY SENSOR ULTRASONIC DETAIL
CRESTRON - GLS-ODT-C-CN
Scale: 1:1



03 AV OCCUPANCY SENSOR ULTRASONIC COVERAGE
SIMPLE COLLABORATION ROOM - SCR98_PRO - TYPICAL REFERENCE
Scale: 1/4" = 1'-0"



CLIENT:

GLOBAL ENTERPRISE STANDARDS
SIMPLE COLLABORATION ROOM -
PRO (SCR_PRO)

PROJECT NAME:

SITE ADDRESS:

NO.:	DATE	DESCRIPTION
1	01/01/01	FOR CONSTRUCTION

ISSUED FOR:

PROJECT NO.:

SCALE: **NTS**

DRAWN BY:

REVIEWED BY:

APPROVED BY:

APPROVED DATE:

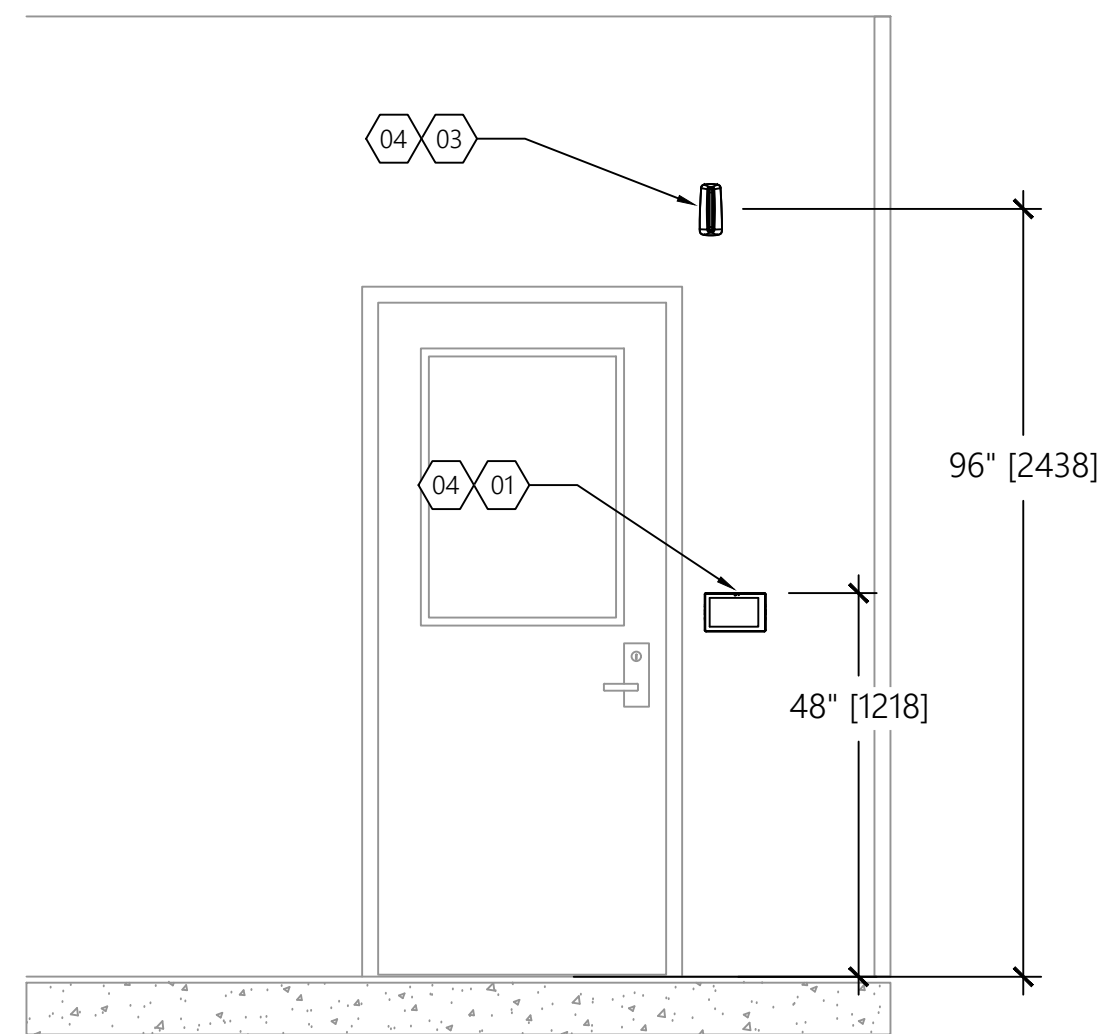
ROOM TYPE: **SCR98 PRO**

**AV FLOW
DIAGRAMS -
SCR98 PRO
TYPICAL**

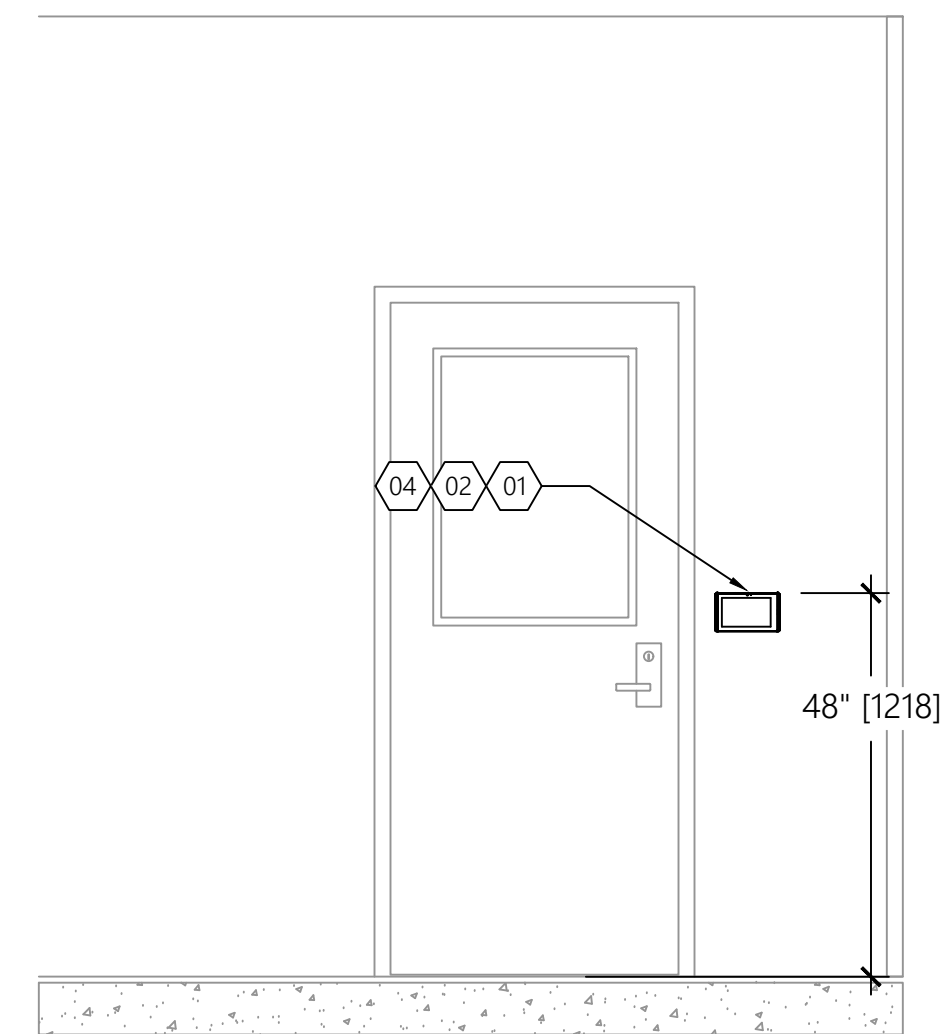
SHEET TITLE

TA206

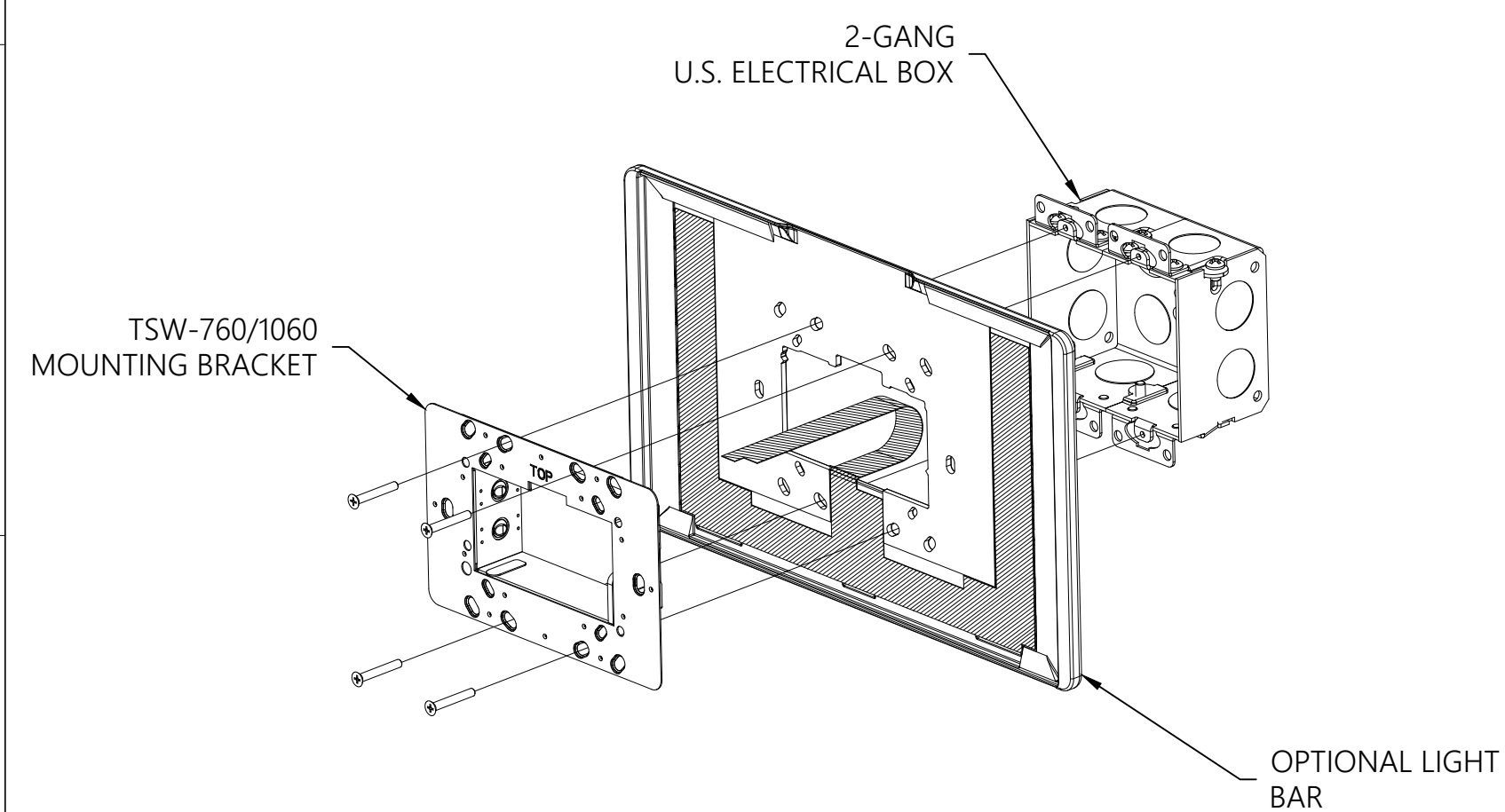
SHEET NUMBER:



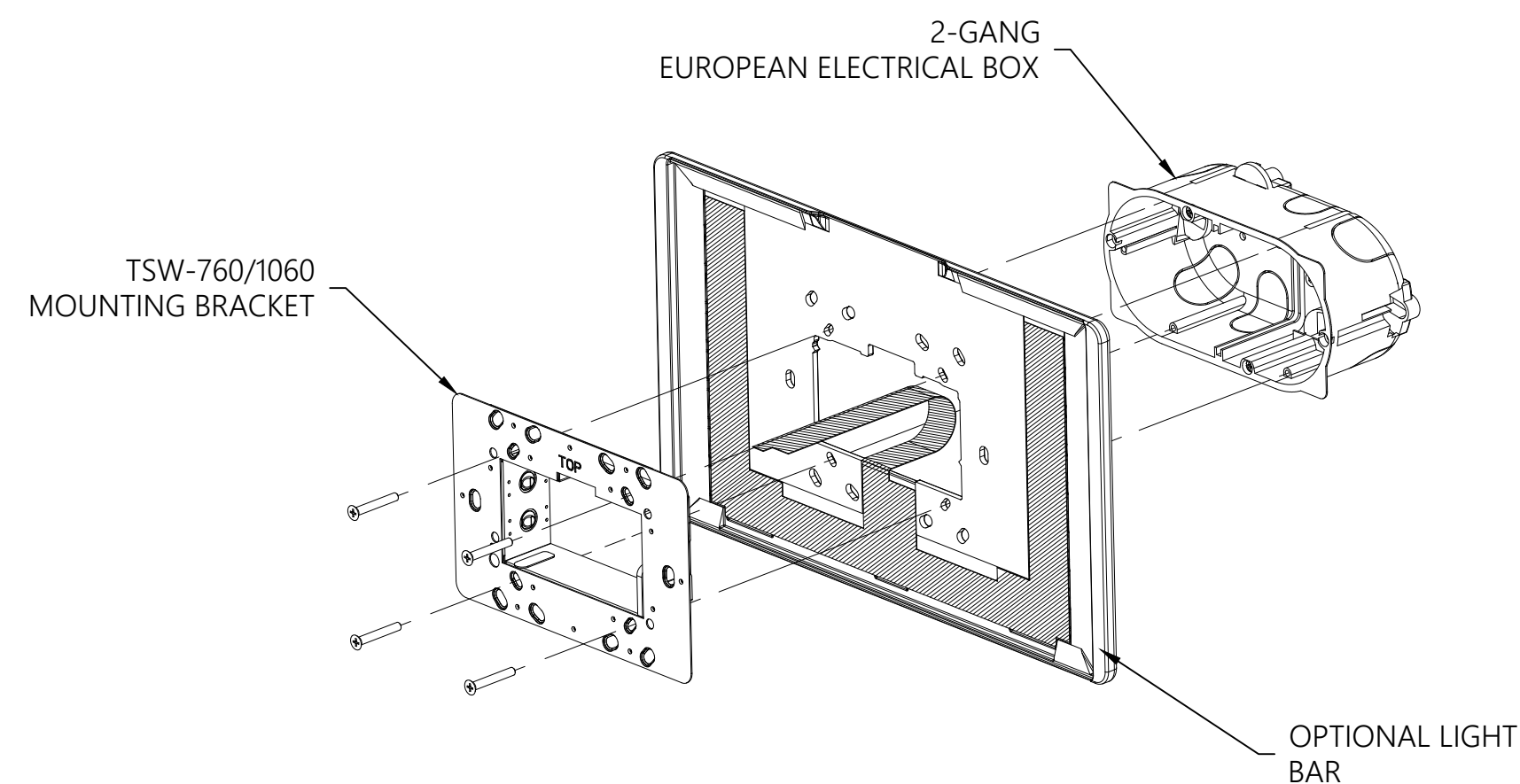
01 SCHEDULING MOUNTING DETAIL - ELEVATION
CONFIGURATION #1 = TSS-7-W-S SCHEDULING PANEL & SSW-102 AVAILABILITY MOUNTED FLUSH IN DRYWALL
Scale: 1/2" = 1'-0"



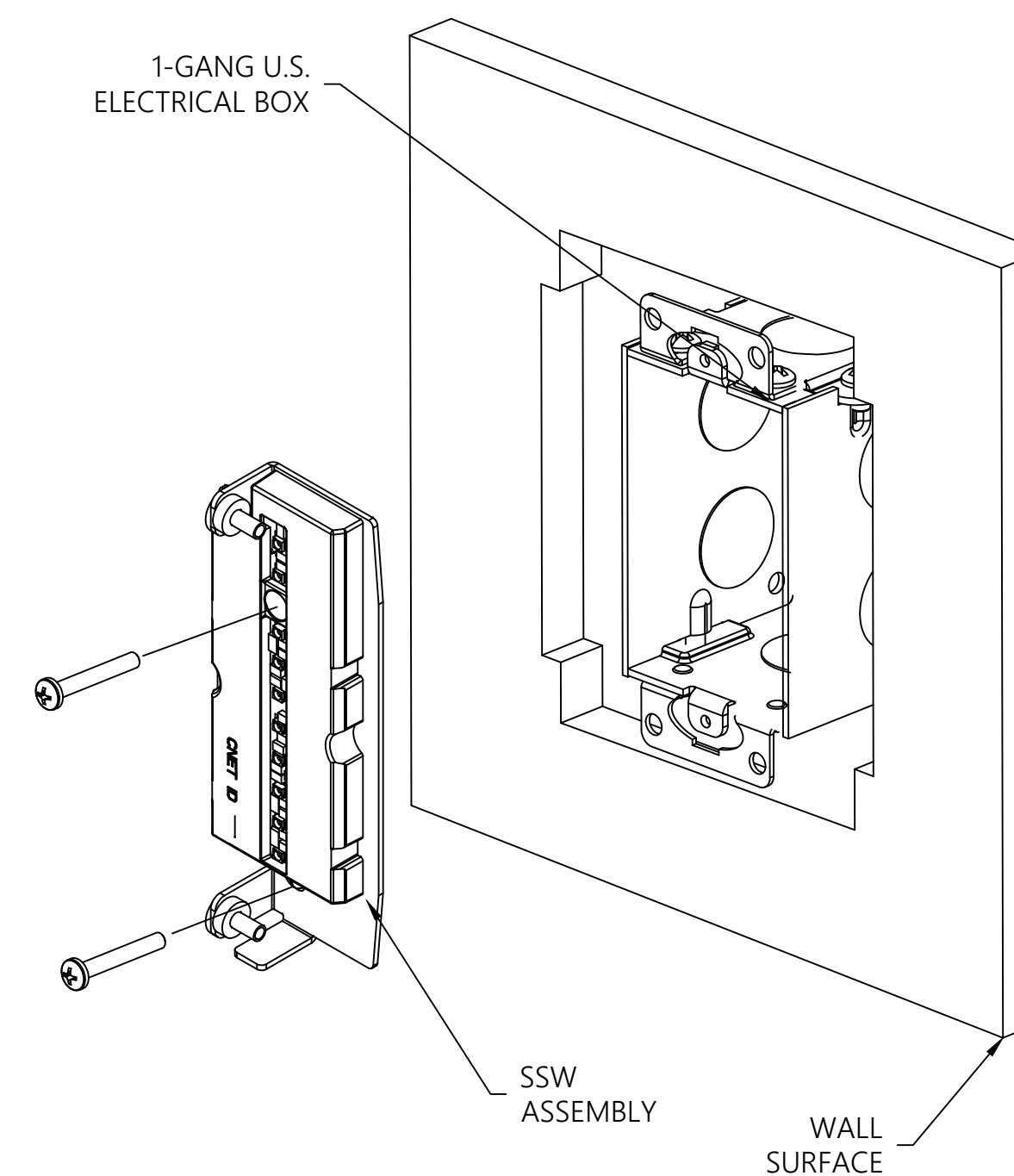
02 SCHEDULING MOUNTING DETAIL - ELEVATION
CONFIGURATION #2 = TSS-7-W-S SCHEDULING PANEL & TSW-760-LB-W-S LIGHT BAR MOUNTED FLUSH IN DRYWALL
Scale: 1/2" = 1'-0"



03 TSS-7-W-S INSTALLATION DETAIL
U.S. STYLE - DRYWALL INSTALLATION
Scale: NTS



04 TSS-7-W-S INSTALLATION DETAIL
EUROPEAN STYLE - DRYWALL INSTALLATION
Scale: NTS



05 SSW-102 INSTALLATION DETAIL
DRYWALL INSTALLATION
Scale: NTS

GENERAL NOTES

- A. ROOM LAYOUTS ARE TYPICAL AND ARE FOR REFERENCE ONLY. REFER TO ARCHITECTURAL PLANS FOR EXACT ROOM LAYOUTS.
- B. ALL POWER TO BE PROVIDED BY OTHERS.
- C. ALL DATA TO BE PoE+ AND PROVIDED BY OTHERS.
- D. THE AV SYSTEM SHOULD RECEIVE A SINGLE PHASE FEED THAT IS PROPERLY GROUNDED.
- E. SSW-102 AVAILABILITY SIGN INSTALLED IN LOCATIONS FACING OPEN BULLPENS AND PARTITIONED CUBICLE AREAS.
- F. TSW-760-LB LIGHT BAR INSTALLED IN HALLWAYS AND CORRIDORS.

SHEET KEYNOTES

- 1. CRESTRON TSS-7-W-S 7" SCHEDULING PANEL.
- 2. CRESTRON TSW-760-LB-W-S LIGHT BAR ATTACHMENT FOR SCHEDULING PANEL.
- 3. CRESTRON SSW-102 MEETING ROOM AVAILABILITY SIGN.
- 4. (1) 1" CONDUIT STUBBED TO ACCESSIBLE CEILING; ONE PoE+ LAN CONNECTION TO BE PULLED BY OTHERS TO J-BOX FOR SCHEDULING PANEL.



955 E. Javelina Avenue
Mesa, Arizona 85204
T: 480.892.1071
F: 480.892.5295
www.L3AV.com

CLIENT:
**GLOBAL ENTERPRISE
STANDARDS SIMPLE
COLLABORATION ROOM - PRO
(SCR_PRO)**

PROJECT NAME:

SITE ADDRESS:

NO.	DATE	DESCRIPTION
1	01/01/01	FOR CONSTRUCTION

ISSUED FOR:

PROJECT NO.:

SCALE: **NTS**

DRAWN BY:

REVIEWED BY:

APPROVED BY:

APPROVED DATE:

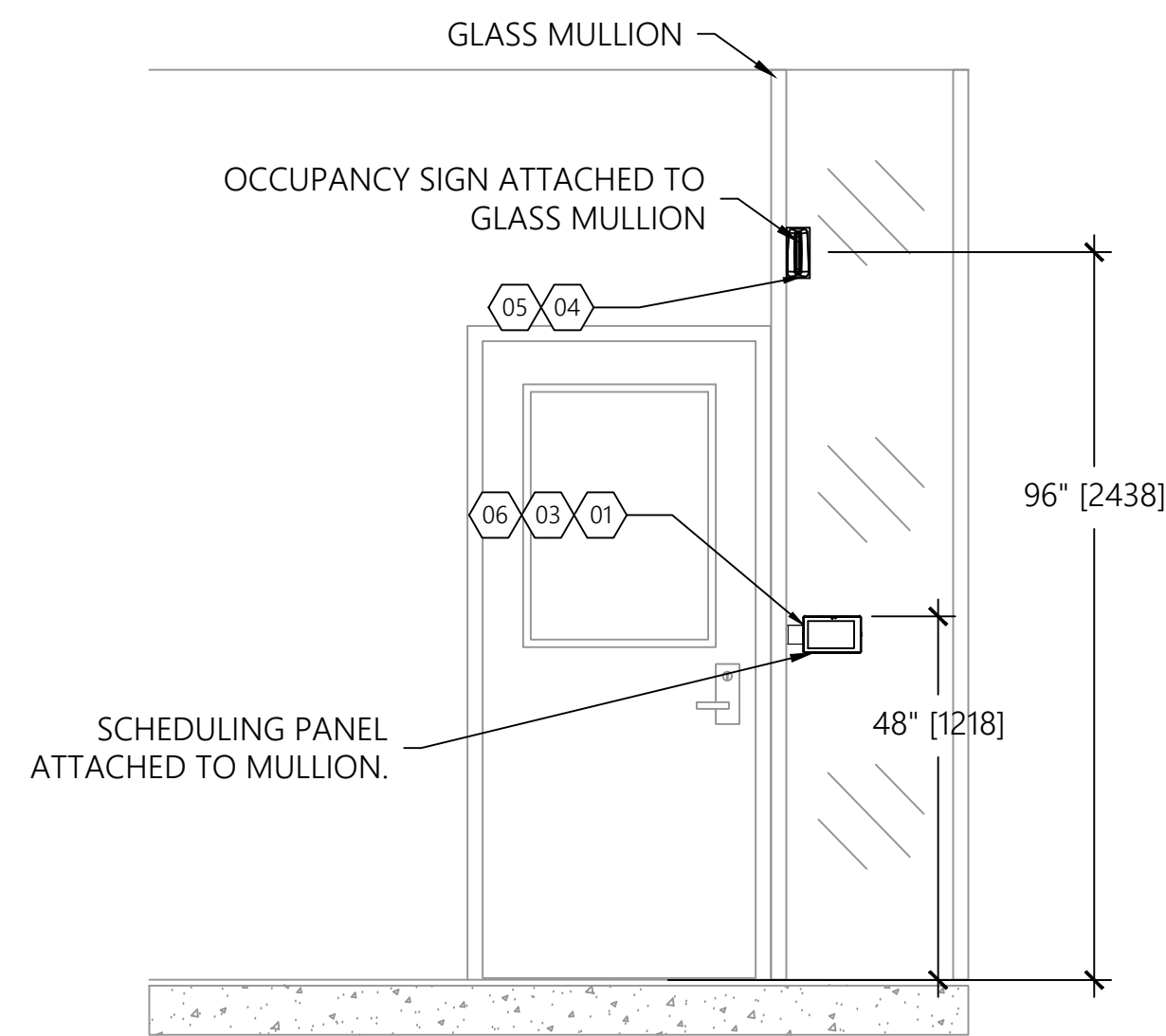
ROOM TYPE:

**MOUNTING
DETAILS -
SCHEDULING -
DRYWALL**

SHEET TITLE

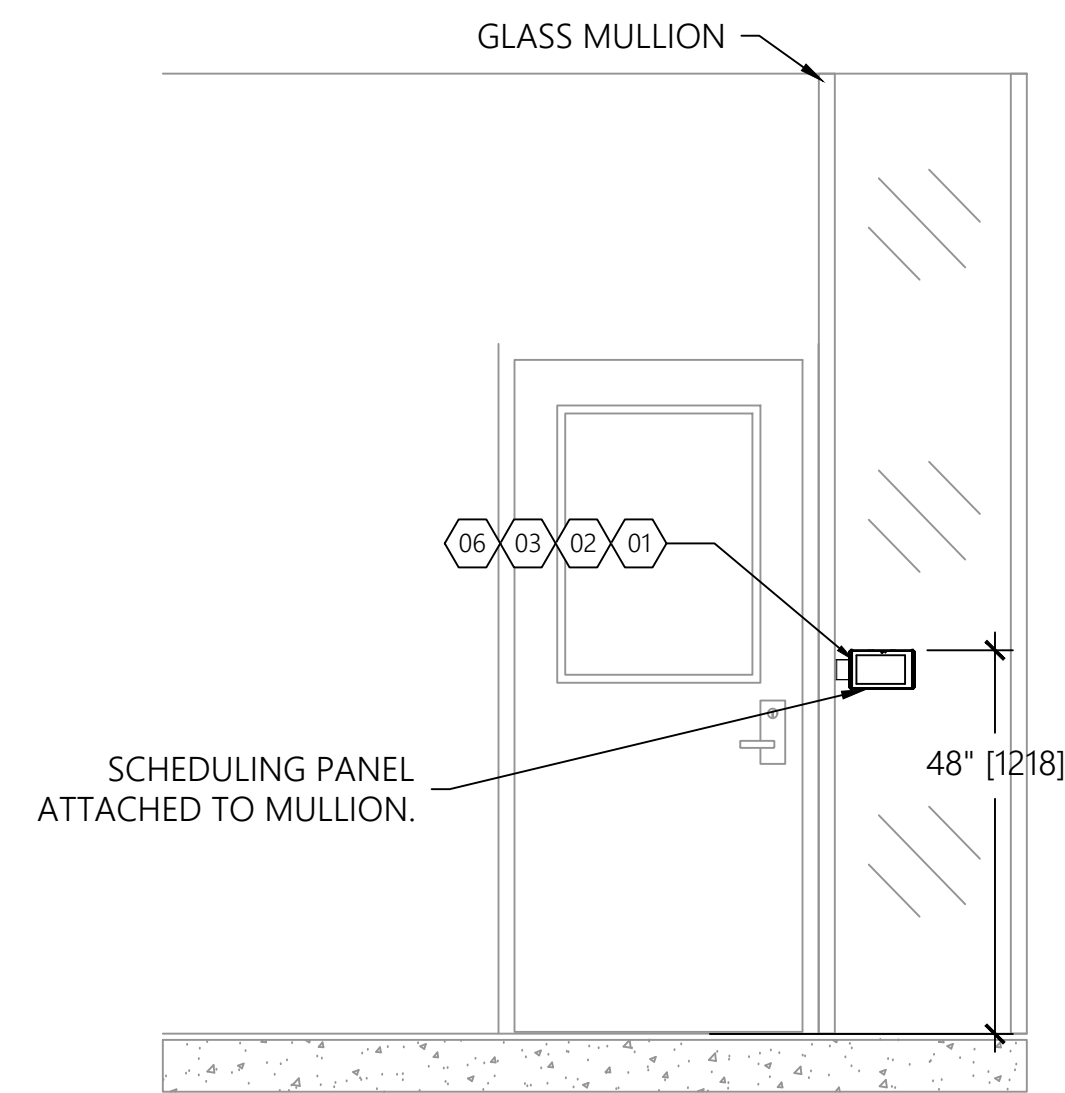
TA701

SHEET NUMBER:



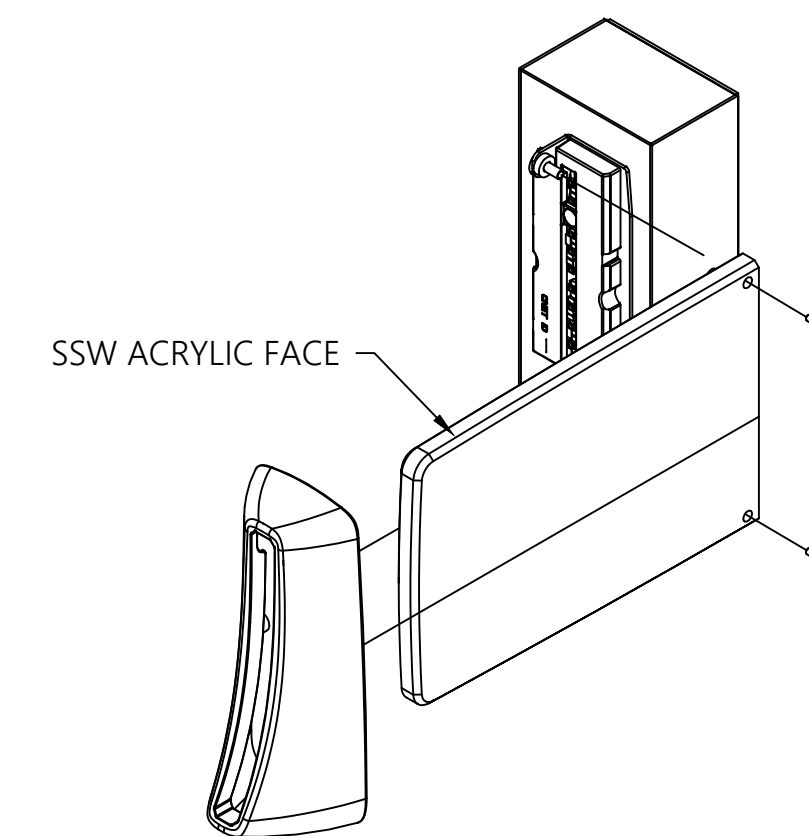
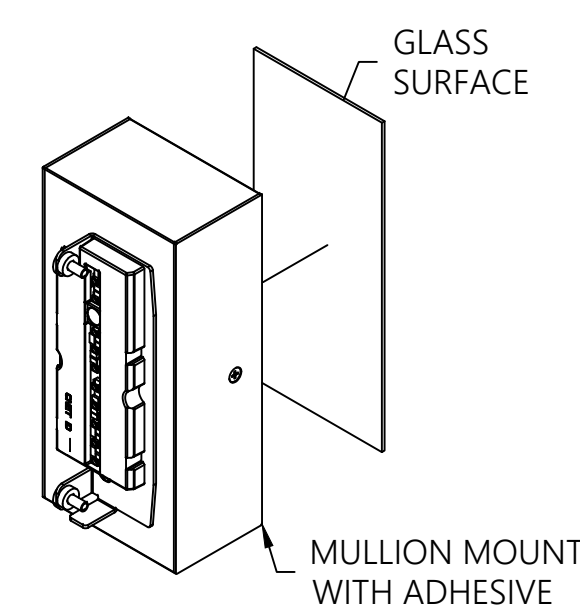
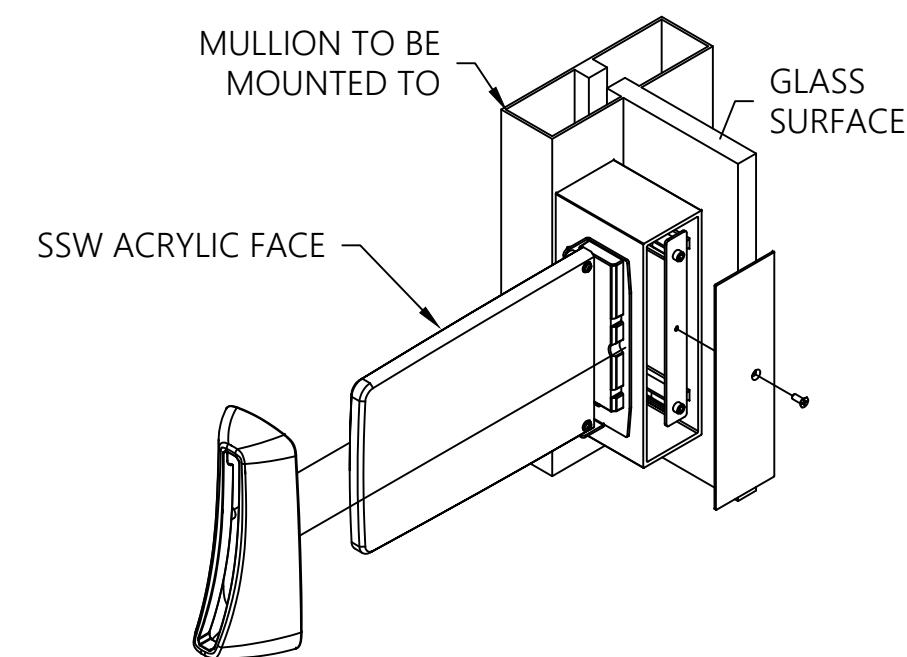
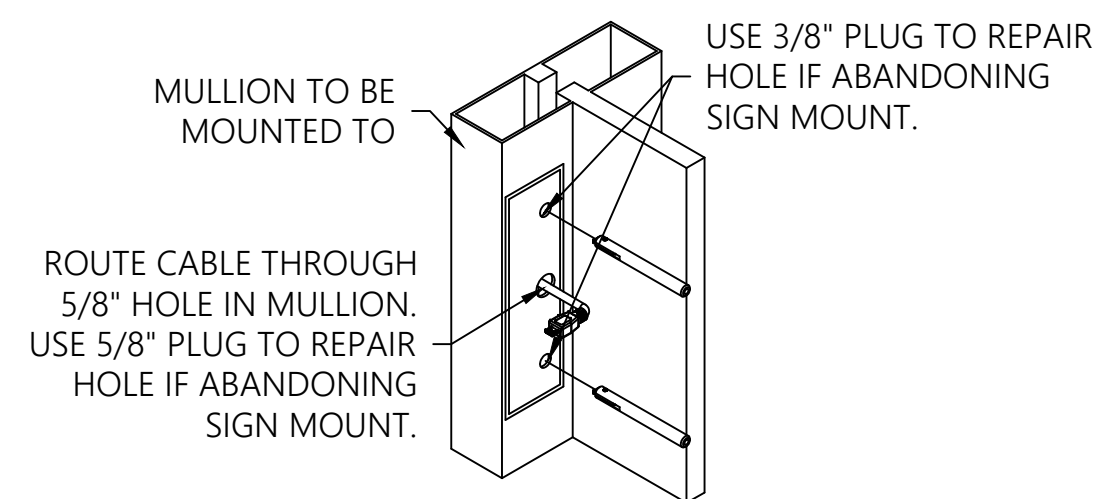
01 SCHEDULING MOUNTING DETAIL - ELEVATION

TSS-7-W-S SCHEDULING PANEL & SSW-102 AVAILABILITY MOUNTED TO INSIDE OR FRONT MULLION W/ TS-7/10-MUMK & SSW-MUMK
Scale: 1/2" = 1'-0"



02 SCHEDULING MOUNTING DETAIL - ELEVATION

TSS-7-W-S SCHEDULING PANEL & TSW-760-LB-W-S LIGHT BAR MOUNTED TO INSIDE OR FRONT MULLION W/ TS-7/10-MUMK
Scale: 1/2" = 1'-0"

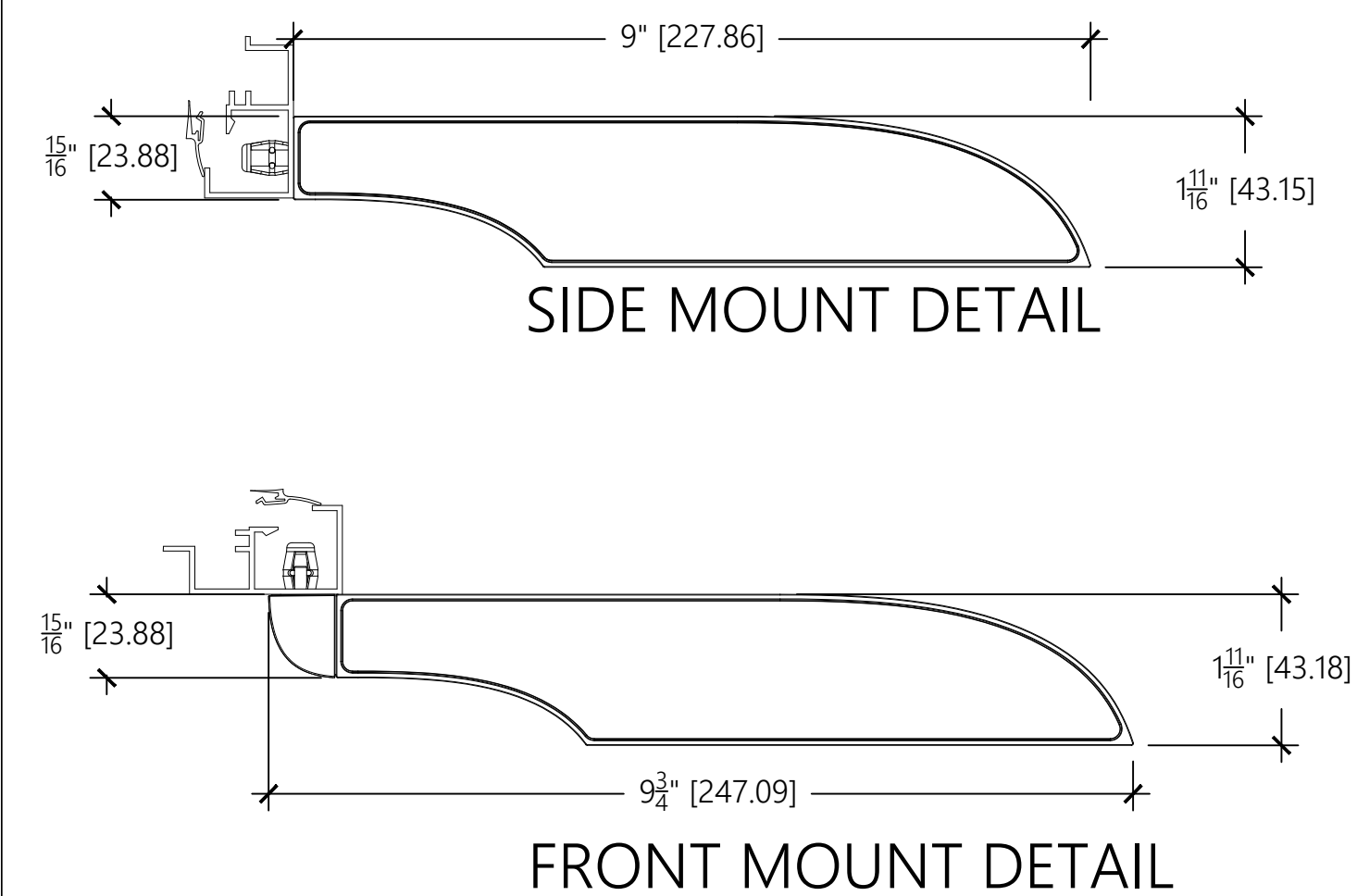
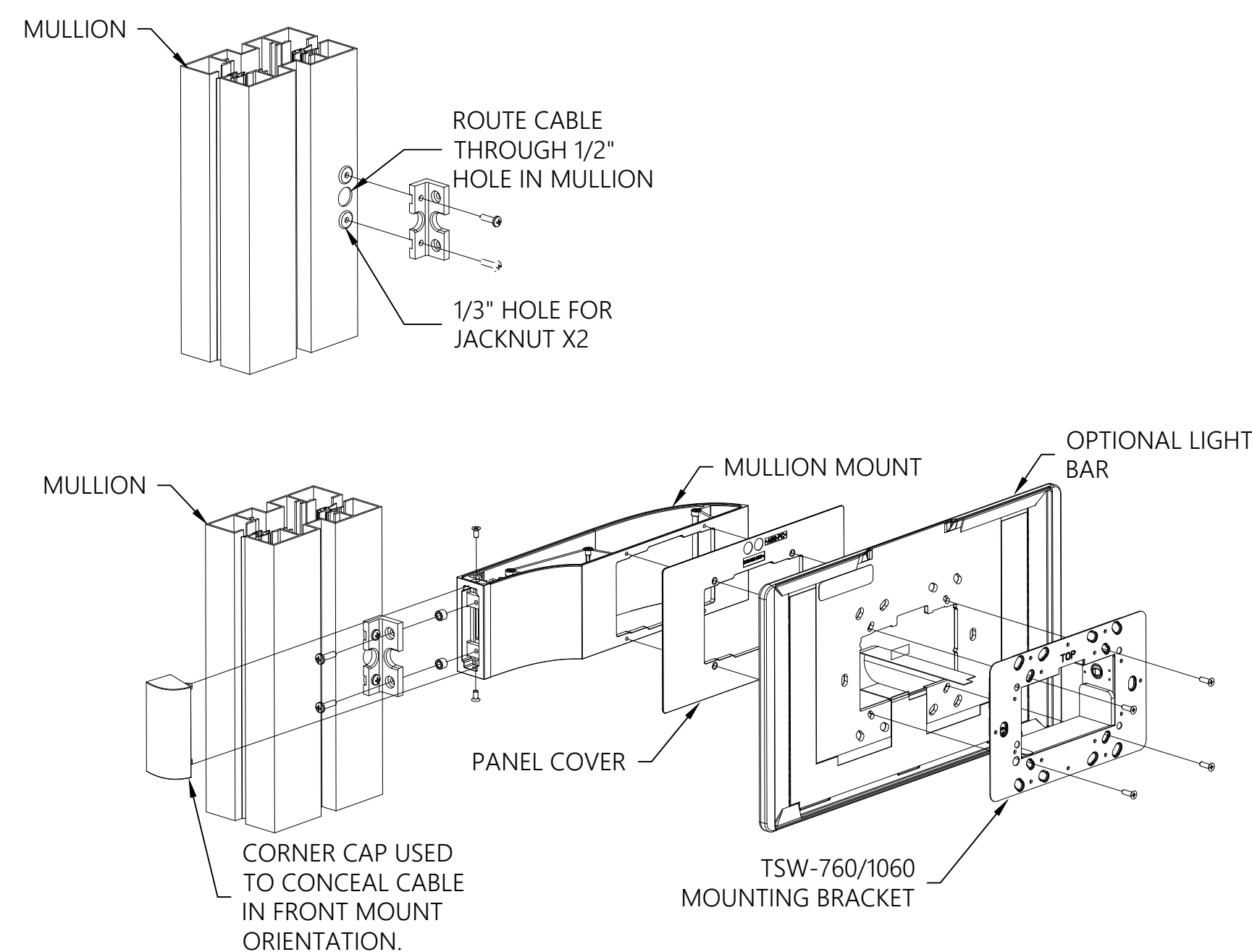
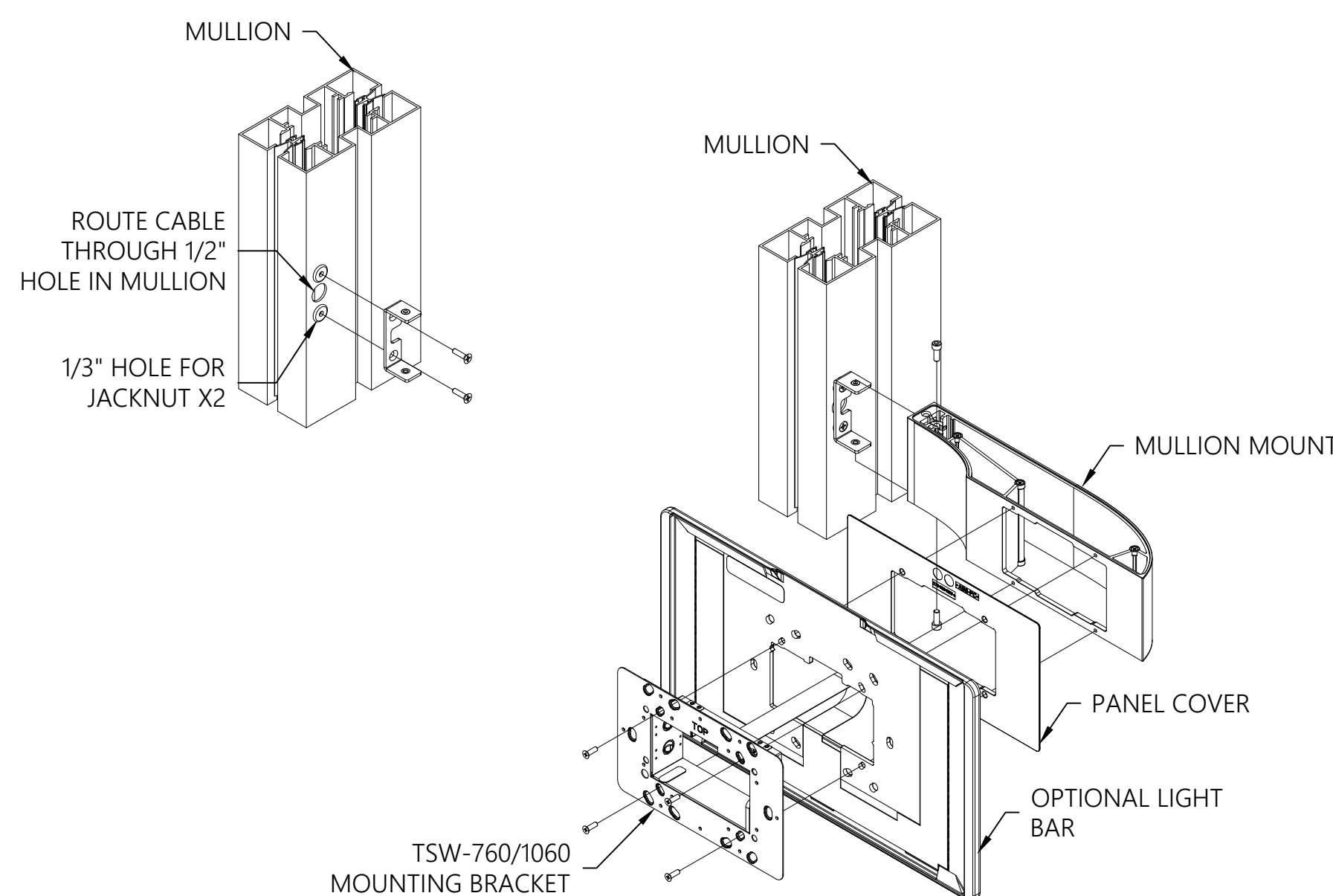


03 CRESTRON SSW-102 MULLION MOUNT DETAILS

CRESTRON SSW-102 AVAILABILITY SIGN W/SSW-MUMK MOUNTING - TYPICAL REFERENCE
Scale: NTS

04 CRESTRON SSW-102 GLASS SURFACE MOUNT DETAILS

CRESTRON SSW-102 AVAILABILITY SIGN W/SSW-MUMK MOUNTING - TYPICAL REFERENCE
Scale: NTS



05 SCHEDULING PANEL SIDE MULLION MOUNTING DETAIL

CRESTRON TS-7/10-MUMK - SIDE MULLION MOUNTING - TYPICAL REFERENCE
Scale: NTS

06 SCHEDULING PANEL FRONT MULLION MOUNTING DETAIL

CRESTRON TS-7/10-MUMK - FRONT MULLION MOUNTING - TYPICAL REFERENCE
Scale: NTS

07 TS-7/10 - MUMK COVER PLATE DETAILS

CRESTRON TS-7/10 - MUMK - SIDE & FRONT MOUNTED COVER PLATE DETAILS
Scale: NTS

GENERAL NOTES

- A. ROOM LAYOUTS ARE TYPICAL AND ARE FOR REFERENCE ONLY. REFER TO ARCHITECTURAL PLANS FOR EXACT ROOM LAYOUTS
- B. ALL POWER TO BE PROVIDED BY OTHERS.
- C. ALL DATA TO BE PoE+ AND PROVIDED BY OTHERS
- D. THE AV SYSTEM SHOULD RECEIVE A SINGLE PHASE FEED THAT IS PROPERLY GROUNDED.
- E. SSW-102 AVAILABILITY SIGN INSTALLED IN LOCATIONS FACING OPEN BULLPENS AND PARTITIONED CUBICLE AREAS.
- F. TSW-760-LB LIGHT BAR INSTALLED IN HALLWAYS AND CORRIDORS.

SHEET KEYNOTES

1. CRESTRON TSS-7-W-S 7" SCHEDULING PANEL.
2. CRESTRON TSW-760-LB-W-S LIGHT BAR ATTACHMENT FOR SCHEDULING PANEL.
3. CRESTRON TS-7/10-MUMK KIT EXACT LOCATION TO BE VERIFIED.
4. CRESTRON SSW-102 MEETING ROOM AVAILABILITY SIGN.
5. CRESTRON SSW-MUMK MULLION KIT EXACT LOCATION TO BE VERIFIED.
6. OFF PoE+ LAN CONNECTION TO BE PULLED BY OTHERS TO MULLION FOR SCHEDULING PANEL.



955 E. Javelina Avenue
Mesa, Arizona 85204
T: 480.892.1071
F: 480.892.5295
www.L3AV.com

CLIENT:

GLOBAL ENTERPRISE
STANDARDS SIMPLE
COLLABORATION ROOM - PRO
(SCR_PRO)

PROJECT NAME:

SITE ADDRESS:

NO.	DATE	DESCRIPTION
1	01/01/01	FOR CONSTRUCTION

ISSUED FOR:

PROJECT NO.:

SCALE: NTS

DRAWN BY:

REVIEWED BY:

APPROVED BY:

APPROVED DATE:

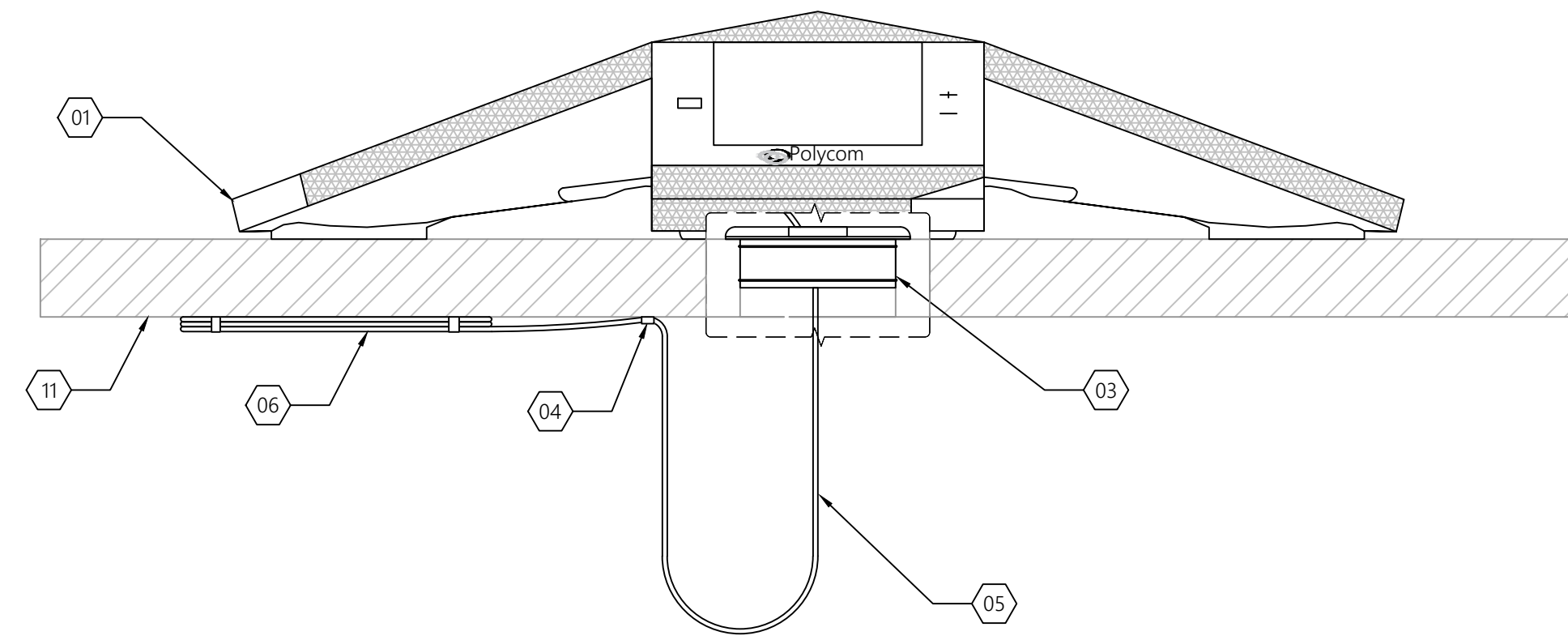
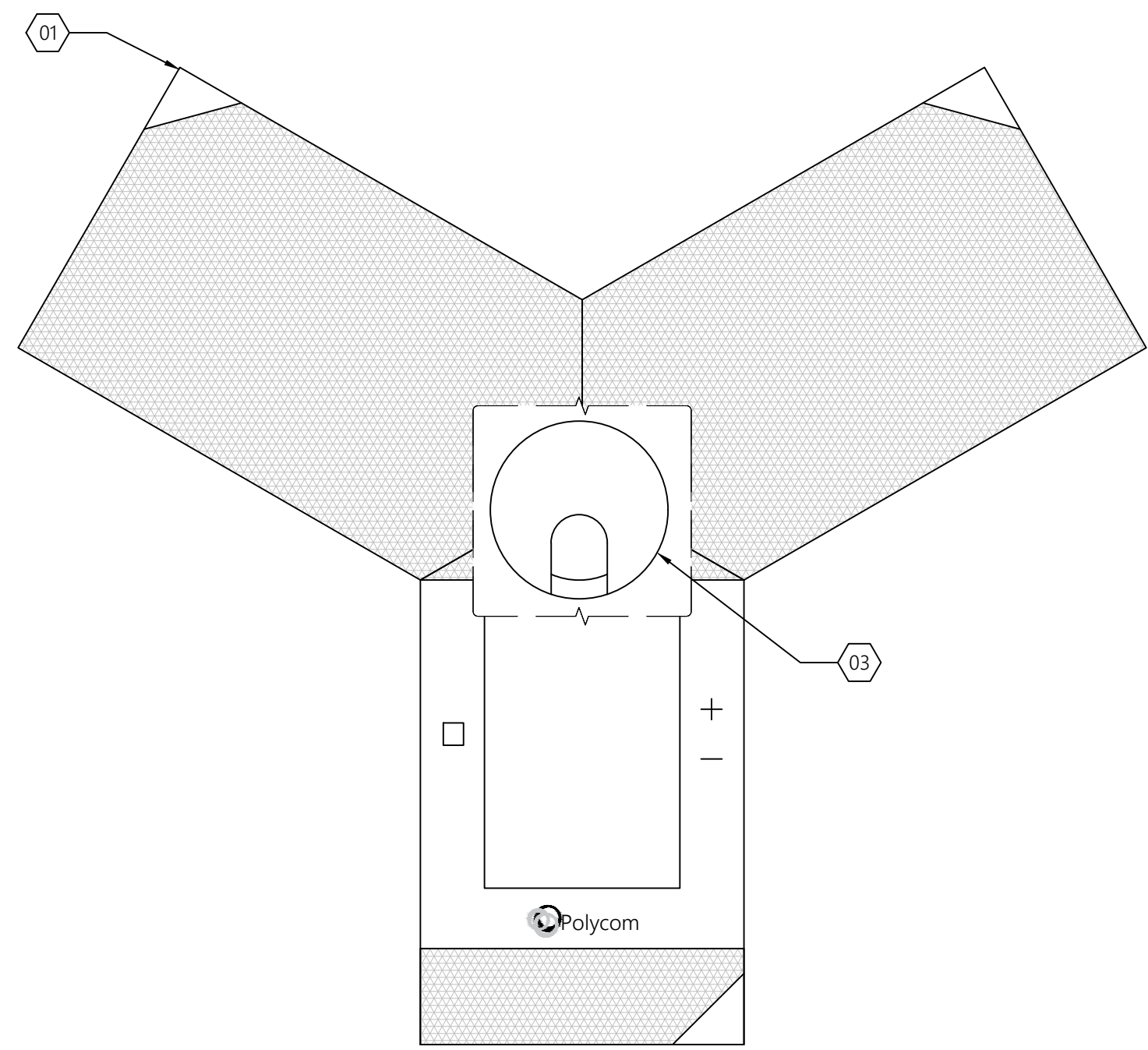
ROOM TYPE:

**MOUNTING
DETAILS -
SCHEDULING -
GLASS MULLION**

SHEET TITLE

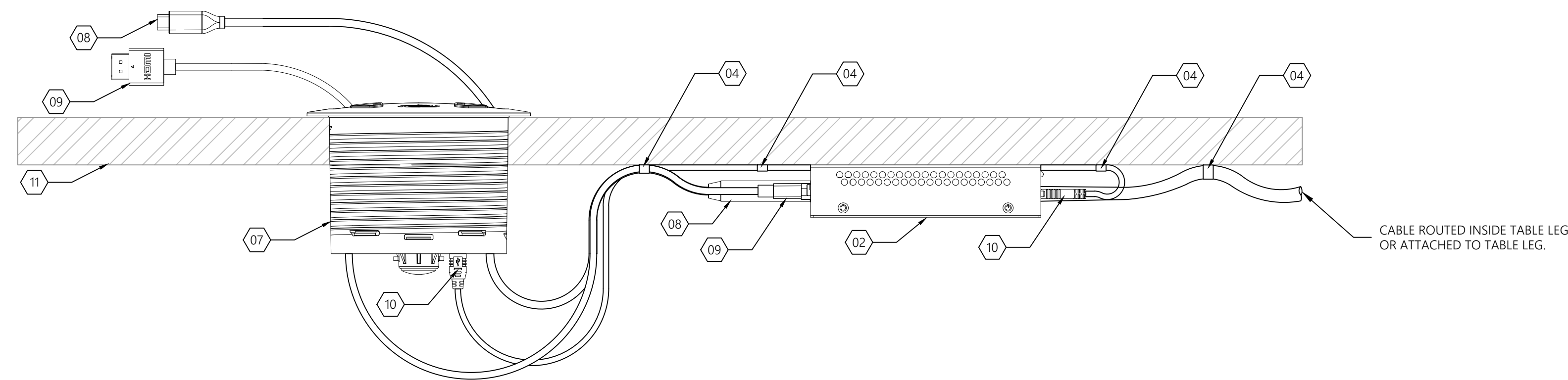
TA702

SHEET NUMBER:

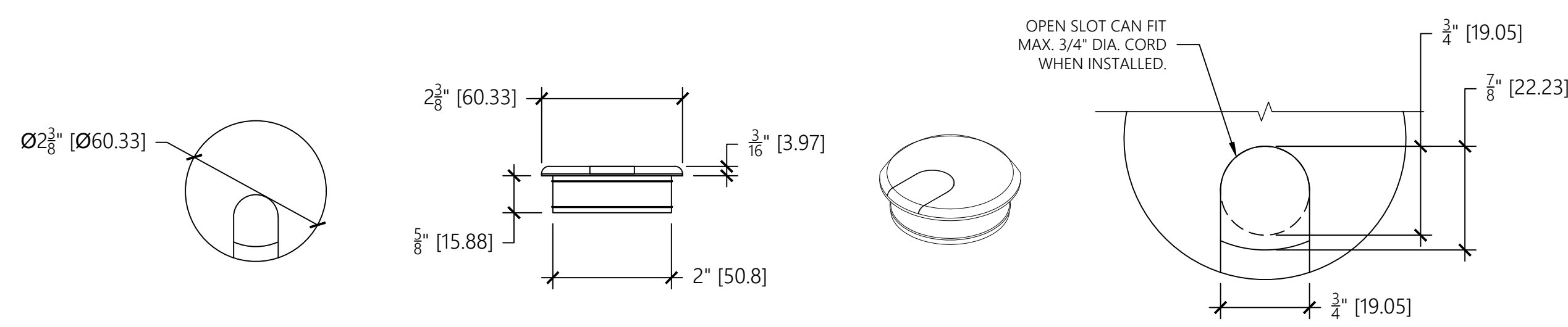


01 POLYCOM TRIO 8800 - TABLE PASS THROUGH DETAILS - PLAN VIEW
ADDITIONAL EQUIPMENT: MOCKETT TG3 (OR SIMILAR) 2" TABLE GROMMET INSTALLED BELOW TRIO 8800
Scale: 6" = 1'-0"

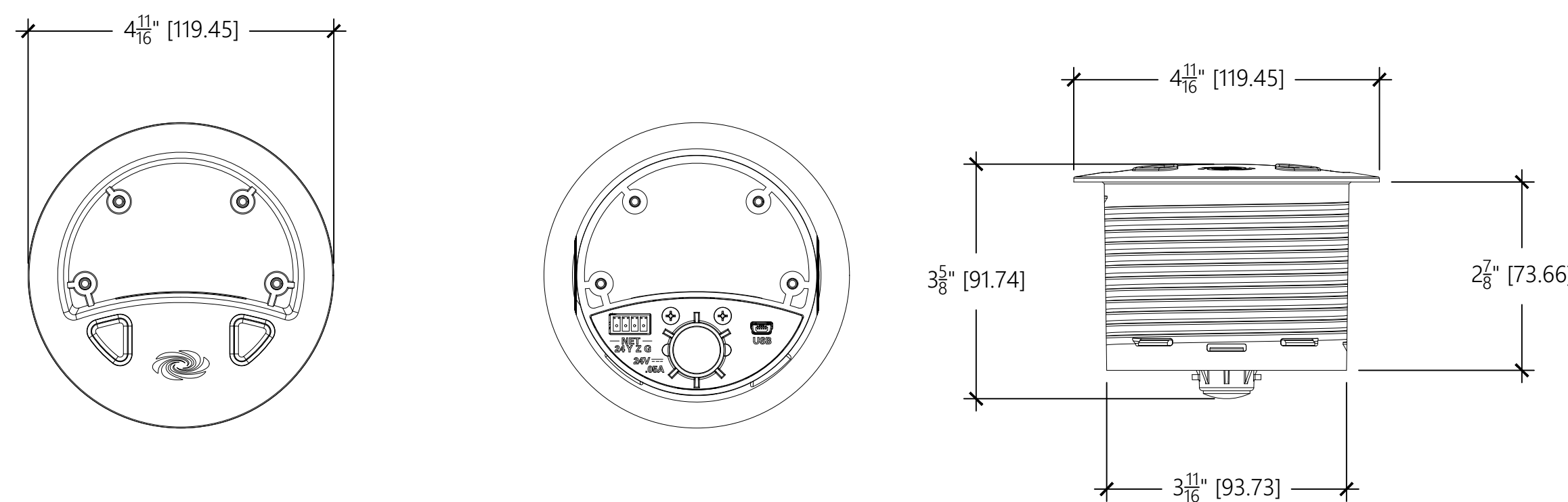
02 POLYCOM TRIO 8800 - TABLE PASS THROUGH DETAILS - SECTION VIEW
ADDITIONAL EQUIPMENT: MOCKETT TG3 (OR SIMILAR) 2" TABLE GROMMET INSTALLED BELOW TRIO 8800
Scale: 6" = 1'-0"



03 CRESTRON TT-110 CABLE CADDY & HD-TX-301-C-E MOUNTING DETAIL - SECTION VIEW
Scale: 6" = 1'-0"



04 MOCKETT TG3 (OR SIMILAR) 2" TABLE GROMMET - DETAIL VIEWS
Scale: 6" = 1'-0"



05 CRESTRON TT-110 CABLE CADDY - DETAIL VIEWS
Scale: 6" = 1'-0"

GENERAL NOTES

- A. ROOM LAYOUTS ARE TYPICAL AND ARE FOR REFERENCE ONLY. REFER TO ARCHITECTURAL PLANS FOR EXACT ROOM LAYOUTS.
- B. ALL POWER, DATA TO BE PROVIDED BY OTHERS.
- C. THE AV SYSTEM SHOULD RECEIVE A SINGLE PHASE FEED THAT IS PROPERLY GROUNDED.

SHEET KEYNOTES

- 1. POLYCOM TRIO 8800.
- 2. CRESTRON HD-TX-301-C-E HDMI TRANSMITTER MOUNTED UNDER TABLE.
- 3. MOCKETT TG3 (OR SIMILAR) 2" TABLE GROMMET BELOW POLYCOM TRIO 8800 FOR CABLE PASS THROUGH.
- 4. TENSION RELIEF TAB, ATTACHED UNDERNEATH TABLE.
- 5. RESERVE 12" - 18" OF CABLE BEFORE TENSION RELIEF TAB.
- 6. COIL REMAINING CABLE & ATTACH TO UNDERSIDE OF TABLE TOP.
- 7. CRESTRON TT-110-B-T CONNECT IT CABLE CADDY.
- 8. C2G 26889 6' USB-C TO HDMI CABLE.
- 9. C2G 41364 6' HDMI CABLE.
- 10. CRESTRON 6' USB-A TO USB-MINI B. INCLUDED WITH CRESTRON TT-110-B-T.
- 11. OFE TABLE TOP.

LEVEL 3
AUDIO VISUAL

955 E. Javelina Avenue
Mesa, Arizona 85204
T: 480.892.1071
F: 480.892.5295
www.L3AV.com

CLIENT:
GLOBAL ENTERPRISE
STANDARDS - SIMPLE
COLLABORATION ROOM - PRO
(SCR_PRO)

PROJECT NAME:

SITE ADDRESS:

NO.	DATE	DESCRIPTION
1	01/01/01	FOR CONSTRUCTION

ISSUED FOR:

PROJECT NO.:

SCALE: **N/A**

DRAWN BY:

REVIEWED BY:

APPROVED BY:

APPROVED DATE:

ROOM TYPE:

**MOUNTING
DETAILS - TRIO
8800 & TT-110
CABLE CADDY**

SHEET TITLE
TA703
SHEET NUMBER:

GENERAL NOTES

- A. ROOM LAYOUTS ARE TYPICAL AND ARE FOR REFERENCE ONLY. REFER TO ARCHITECTURAL PLANS FOR EXACT ROOM LAYOUTS.
- B. ALL POWER, DATA TO BE PROVIDED BY OTHERS.
- C. THE AV SYSTEM SHOULD RECEIVE A SINGLE PHASE FEED THAT IS PROPERLY GROUNDED.

SHEET KEYNOTES

1. HP ELITEBOOK 840 G6 "KIOSK" LAPTOP.
2. MOCKETT TG3 (OR SIMILAR) 2" TABLE GROMMET BELOW POLYCOM TRIO 8800 FOR CABLE PASS THROUGH.
3. TENSION RELIEF TAB. ATTCHED UNDERNEATH TABLE.
4. COIL REMAINING CABLE & ATTACH TO UNDERSIDE OF TABLE TOP.
5. KIOSK LAPTOP POWER SUPPLY ATTACHED TO UNDERSIDE OF TABLE TOP.
6. KENSINGTON LOCK FOR KIOSK LAPTOP. ATTACH TO UNDERSIDE OF TABLE TOP.
7. RESERVE 24" - 36" OF CABLE BEFORE TENSION RELIEF TAB.
8. WRAP CABLES IN SNAKE SKIN MATERIAL (OR SIMILAR).
9. OFE TABLE TOP.

CLIENT:

GLOBAL ENTERPRISE STANDARDS SIMPLE COLLABORATION ROOM - PRO (SCR_PRO)

PROJECT NAME:

SITE ADDRESS:

NO.:	DATE	DESCRIPTION
1	01/01/01	FOR CONSTRUCTION

ISSUED FOR:

PROJECT NO.:

SCALE: **NTS**

DRAWN BY:

REVIEWED BY:

APPROVED BY

APPROVED DATE:

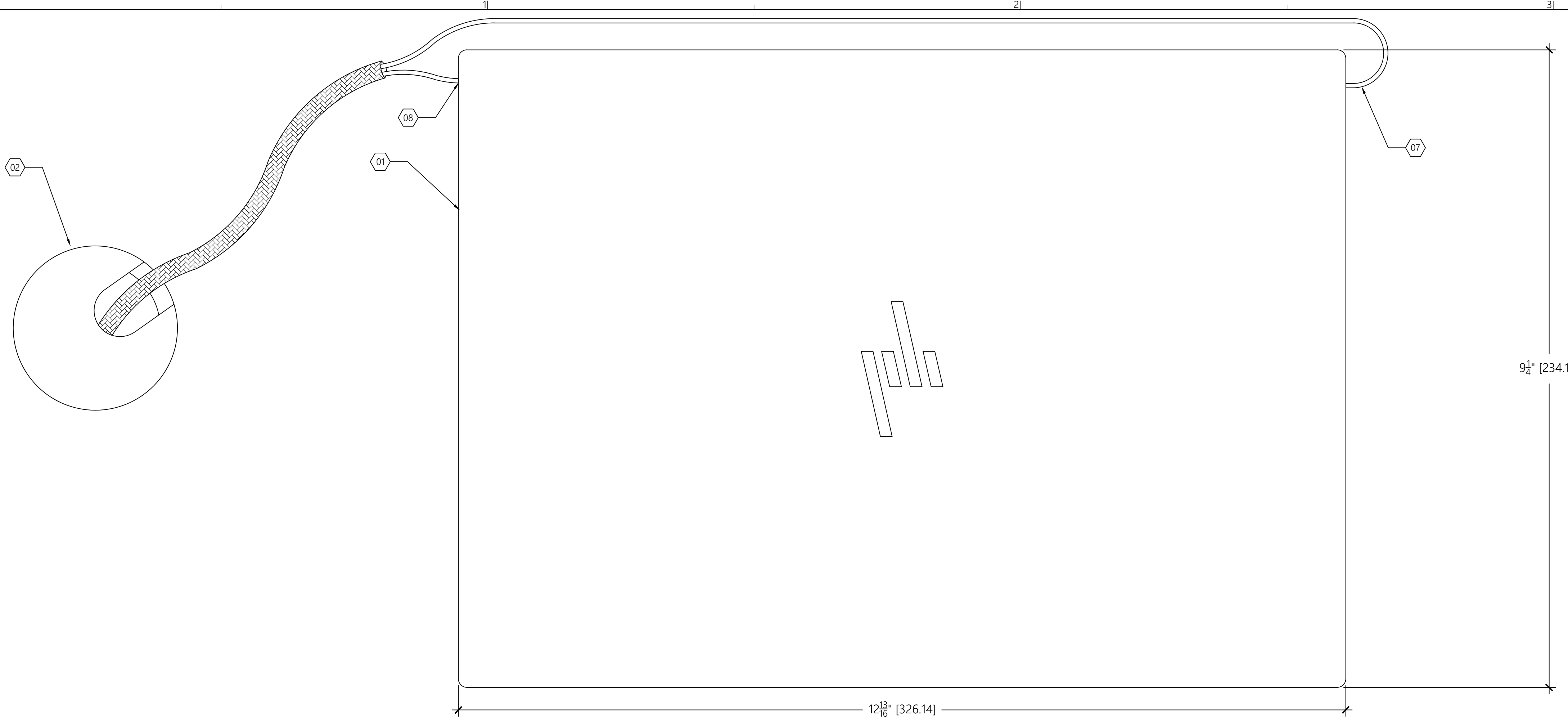
ROOM TYPE:

MOUNTING DETAILS - KIOSK LAPTOP

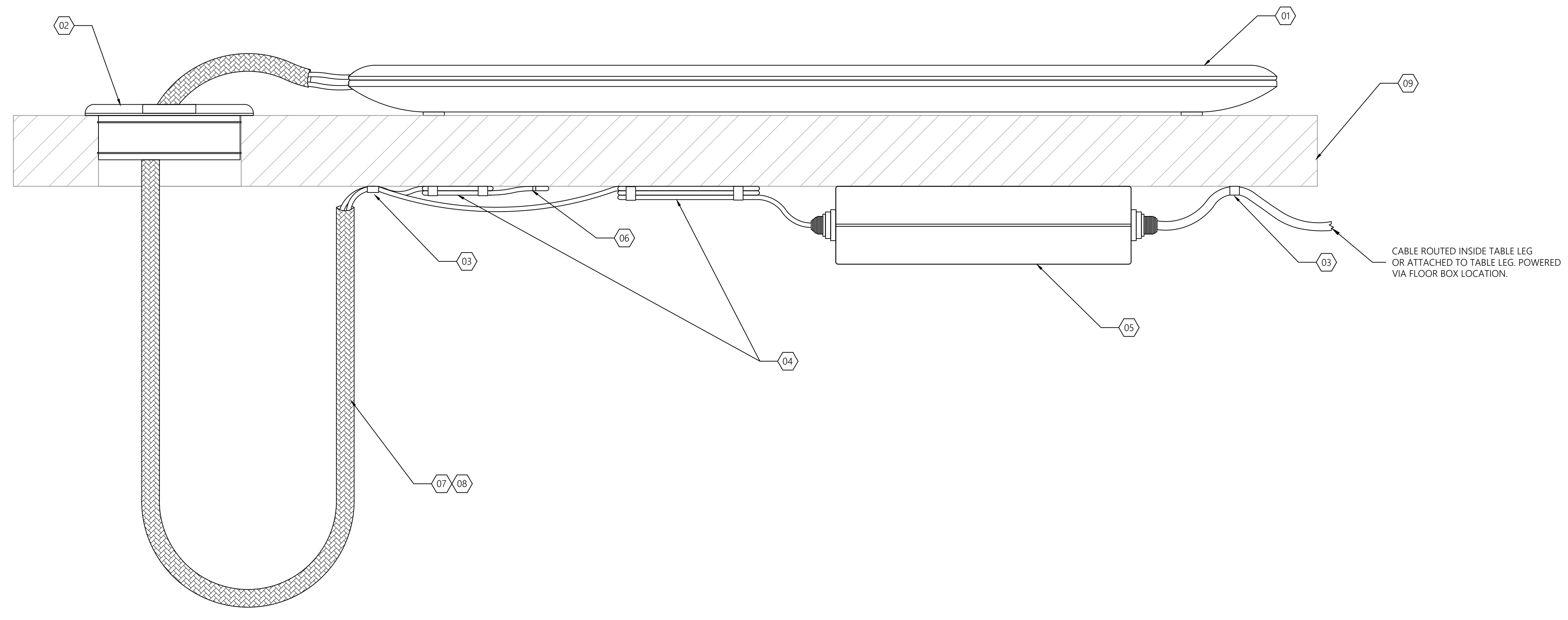
SHEET TITLE

TA704

SHEET NUMBER:



01 KIOSK LAPTOP - TABLE PASS THROUGH DETAILS - PLAN VIEW
 ADDITIONAL EQUIPMENT: MOCKETT TG3 (OR SIMILAR) 2" GROMMET INSTALLED NEXT TO LAPTOP & KENSINGTON LOCK & CABLE



02 KIOSK LAPTOP - TABLE PASS THROUGH DETAILS - SECTION VIEW
 ADDITIONAL EQUIPMENT: MOCKETT TG3 (OR SIMILAR) 2" GROMMET INSTALLED NEXT TO LAPTOP & KENSINGTON LOCK & CABLE

